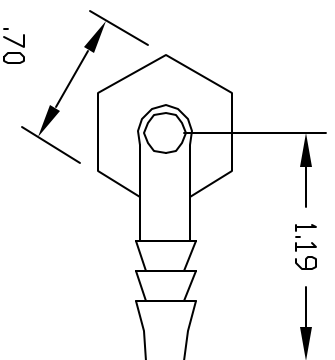
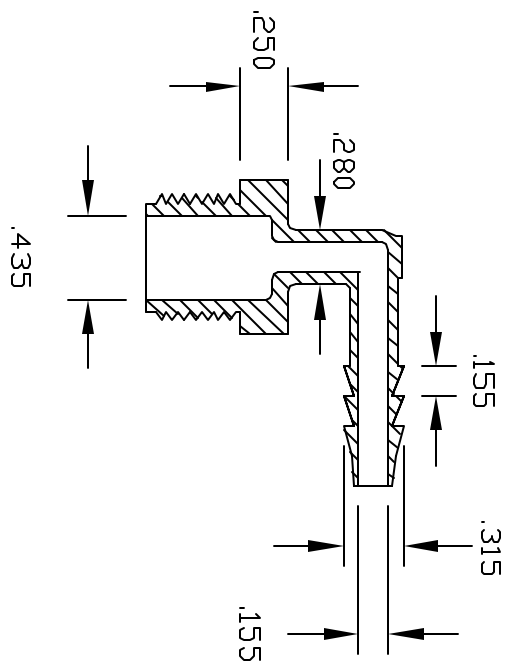
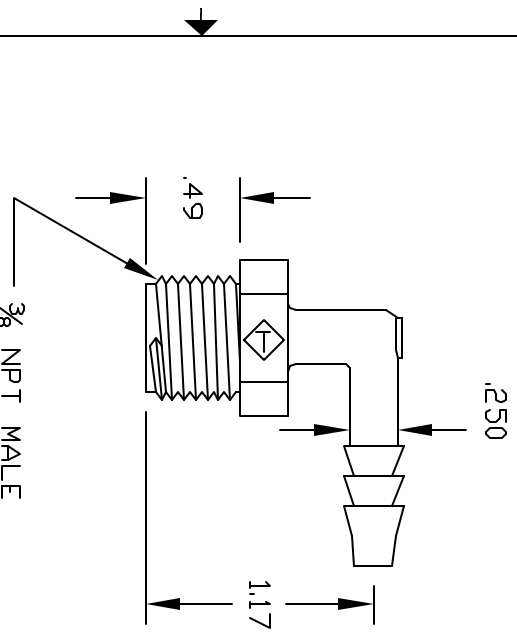


REVISIONS			
REV	DESCRIPTION	DATE	APPROVED
A	REDRAWN & RELEASED	4/98	4/98
B	MODIFY BARBS	12/02	12/02



CONTROLLED DOCUMENT  
ONLY IF IN RED

THIS PRINT AND THE SPECIFICATIONS ARE THE PROPERTY OF THOGUS PRODUCTS COMPANY AND HAVE BEEN ISSUED WITH THE UNDERSTANDING THAT IT IS TO BE USED FOR THE MANUFACTURE FOR OTHERS AND WILL BE RETURNED UPON REQUEST.

UNLESS OTHERWISE SPECIFIED DIMENSIONS ARE IN INCHES	DRAWN	DATE
DECIMAL FRACTIONS	NM	4/98
XX +/- .05		
XXX +/- .015		
MATERIAL	FINISH	
NYLON	2064N	

Part Number	3/8NPT X 1/4 BARB ELBOW
Part Number	TE2064/N
Part Number	2064N
Part Number	NYLON
Part Number	SCALE 1:1
Part Number	SHEET 1 of 1
Part Number	REV B
Part Number	THOGUS PRODUCTS
Part Number	33490 PIN DAK PARKWAY
Part Number	AVON LAKE OHIO 44012