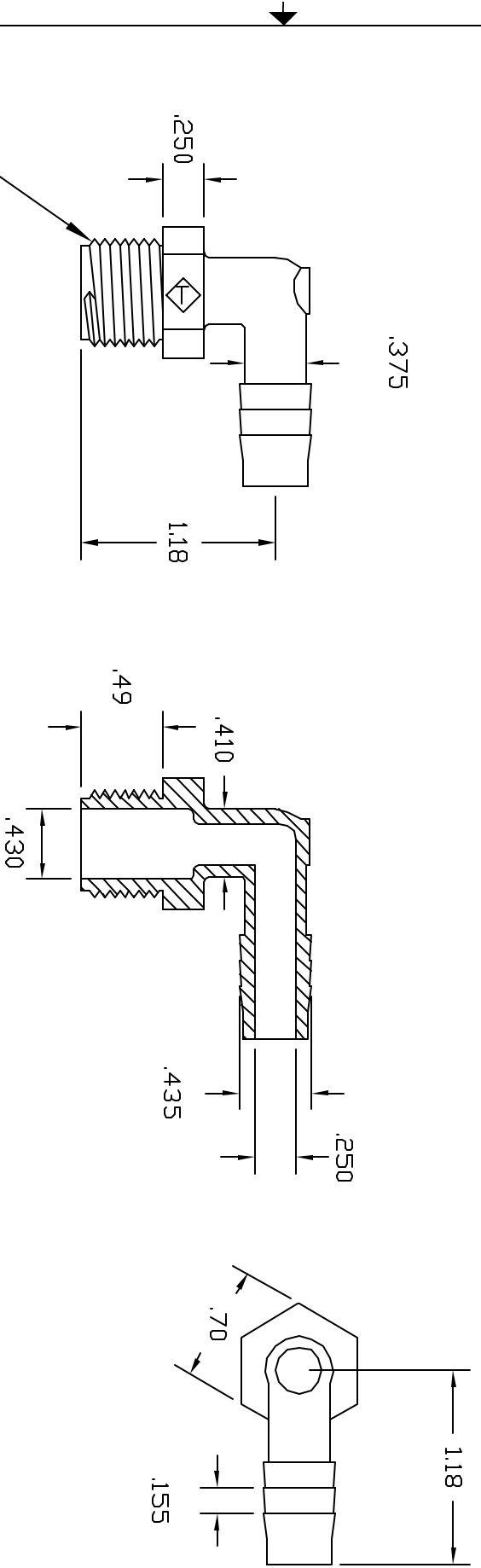


REVISIONS			
REV	DESCRIPTION	DATE	APPROVED
A	REDRAWN & RELEASED	5/98	5/98
B	MODIFY BARBS	12/02	12/02



CONTROLLED DOCUMENT  
ONLY IF IN RED

**CONFIDENTIAL**  
THIS PRINT AND THE SPECIFICATIONS ARE THE PROPERTY OF THOGUS PRODUCTS COMPANY AND HAVE BEEN ISSUED WITH THE UNDERSTANDING THAT IT IS TO BE KEPT FOR THE MANUFACTURE FOR OTHERS AND WILL BE RETURNED UPON REQUEST.

UNLESS OTHERWISE SPECIFIED DIMENSIONS ARE IN INCHES		Part Name:	
DECIMAL FRACTIONS	XX +/- .05	3/8NPT X 3/8 BARB EL.BOW	
FRACTIONS	XX +/- .015		
XXX +/- .015			
DRAWN	NM	DATE	8/98
DESIGNED	2066N		
MATERIAL	NYLON		
Part Number	TE2066/N	Scale	1:1
<b>THOGUS PRODUCTS</b>		33490 PIN DAK PARKWAY AYDON LAKE OHIO 44012	
REV	B	SHEET	1 of 1