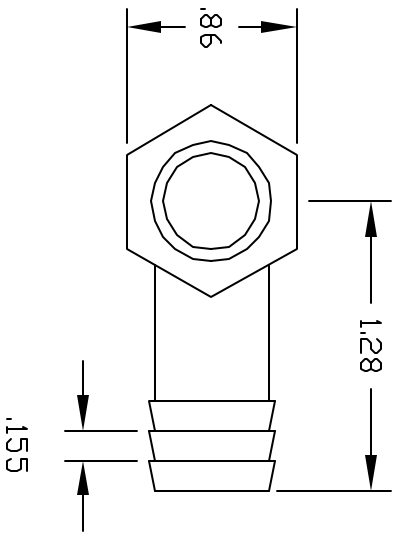
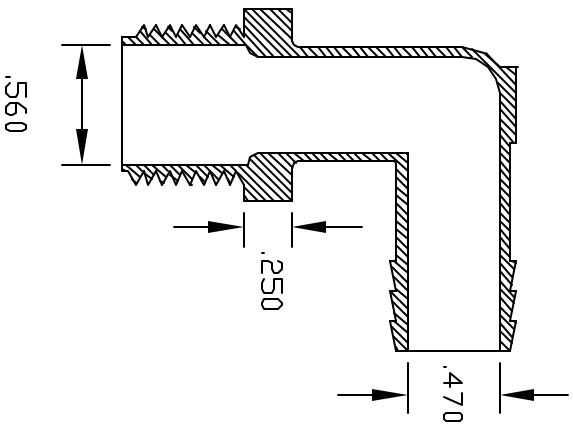
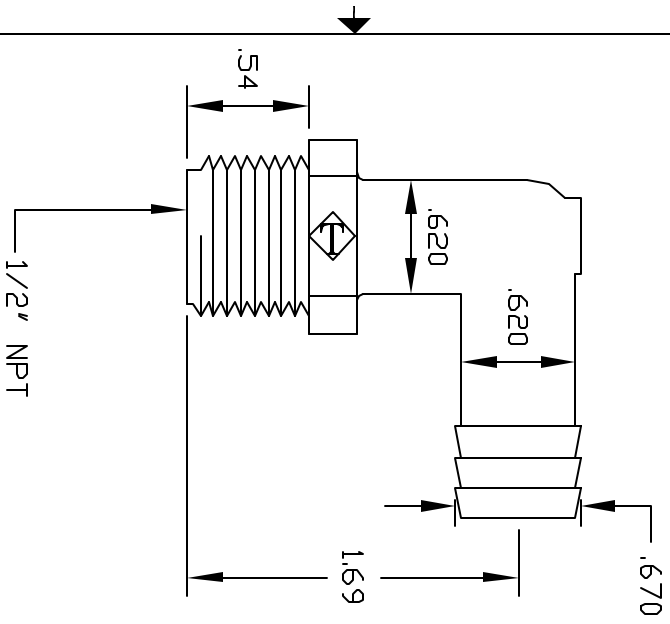


REVISIONS				
ZONE	REV	DESCRIPTION	DATE	APPROVED
	A	REDRAWN & RELEASED	4/97	4/97
	B	DIM 0.590 REMOVED	01/06/2000	BM



CONTROLLED DOCUMENT
ONLY IF IN RED

CONFIDENTIAL
THIS PRINT AND THE SPECIFICATIONS ARE THE PROPERTY OF THOGUS PRODUCTS COMPANY AND HAVE BEEN ISSUED WITH THE UNDERSTANDING THAT IT IS NOT TO BE REPRODUCED, COPIED, REVEALED OR USED FOR THE MANUFACTURE OF OTHERS AND WILL BE RETURNED UPON REQUEST.

UNLESS OTHERWISE SPECIFIED
DIMENSIONS ARE IN INCHES
TOLERANCES UNLESS SHOWN
XX +/- .05
XXX +/- .015
DRAWN NM DATE
FABRIQUER 20810L/P
MATERIAL POLYETHYLENE

Part Name: 1/2NPT X 5/8 BARB ELBOW
Part Number: TE20810L/P
THOGUS PRODUCTS 33490 PIN DAK PARKWAY
AVON LAKE OHIO 44012
SCALE 1:1 SHEET 1 of 1 REV B

THE INFORMATION CONTAINED HEREIN IS UNCLASSIFIED