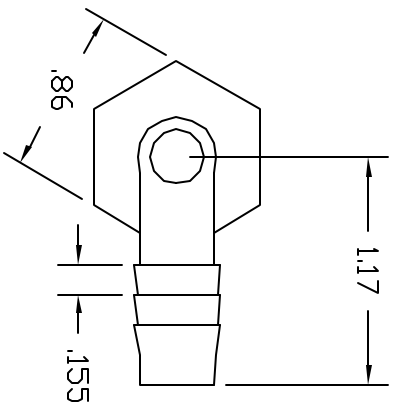
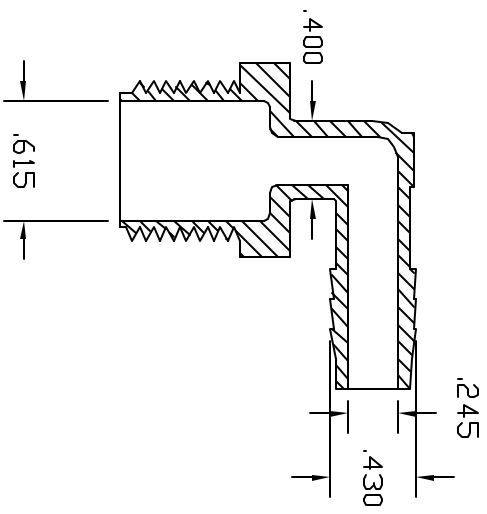
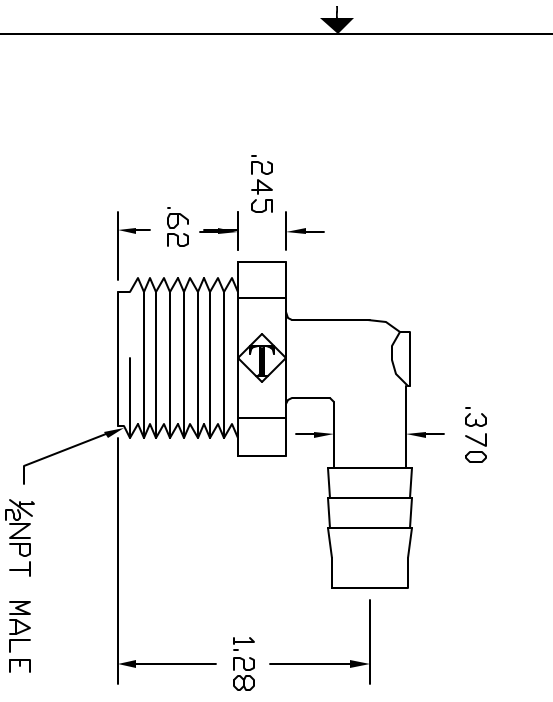


REVISIONS			
REV	DESCRIPTION	DATE	APPROVED
A	REDRAWN & RELEASED	5/98	5/98
B	MODIFIED BARBS	9/99	BM
C	MODIFIED BARBS	12/02	12/02



COLOR: BLACK (PPB)
NATURAL (PPN)

CONFORMANT
THIS PRINT AND THE SPECIFICATIONS ARE THE PROPERTY OF THOGUS PRODUCTS COMPANY AND HAVE BEEN ISSUED WITH THE UNDERSTANDING THAT THE USER ASSUMES ALL LIABILITY FOR THE REPRODUCTION AND USE OF THE INFORMATION CONTAINED HEREIN. THE MANUFACTURE OF THIS PRODUCT SHALL BE RETURNED UPON REQUEST.

CONTROLLED DOCUMENT
ONLY IF IN RED

UNLESS OTHERWISE SPECIFIED DIMENSIONS ARE IN INCHES		TOLERANCES	
DRAWN		XX	+/-.05
MATERIAL		XXX	+/- .015
POLYPROPYLENE			
Part Number		1/2 NPT X 3/8 BARBED ELBOW NYLON	
THOGUS PRODUCTS		33490 PIN DAK PARKWAY AVON LAKE OHIO 44012	
Part Number		TE2086/PP	
SCALE		1:1	
SHEET		1 of 1	
REV		C	