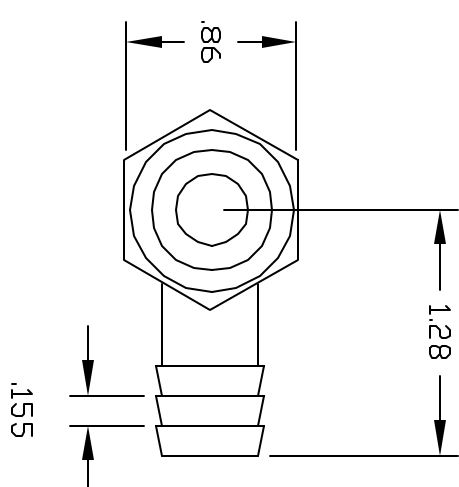
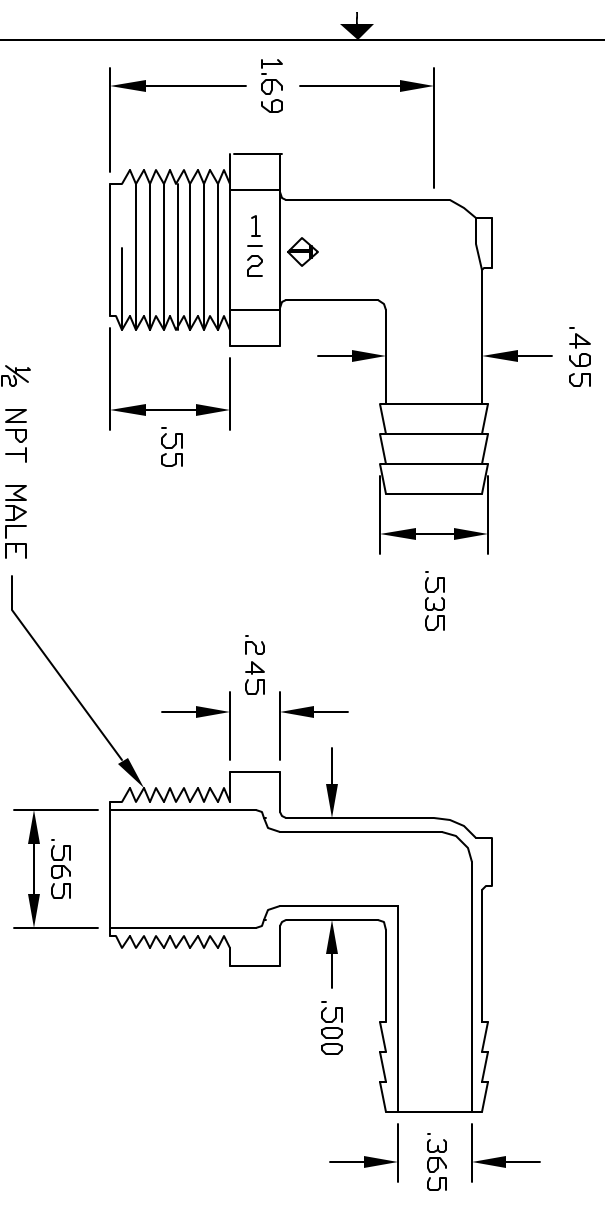


REVISIONS				
ZINC	REV	DESCRIPTION	DATE	APPROVED
	A	REDRAWN & RELEASED	5/98	5/98
	B	LEAD BARB	7/99	7/99
	C	.540 TD .550 1.11 TD 1.26 .500 TD .490 .90 TD .88	7/99	7/99



CONTROLLED DOCUMENT  
ONLY IF IN RED

**CONFIDENTIAL**  
THIS PRINT AND THE SPECIFICATIONS ARE THE PROPERTY OF THOGUS PRODUCTS COMPANY AND HAVE BEEN ISSUED WITH THE UNDERSTANDING THAT IT IS TO BE KEPT FOR THE MANUFACTURE OF THIS PART AND WILL BE RETURNED UPON REQUEST.

UNLESS OTHERWISE SPECIFIED DIMENSIONS ARE IN INCHES		TOLERANCES	
XX	+/- .05	YY	+/- .05
XXX	+/- .015		
DRAWN	MS	DATE	1/7/98
DESIGNED	2088L/P		
MATERIAL	POLYETHYLENE		
Part Name	1/2NPT X 1/2 BARB ELBOW		
Part Number	FE2088L/P		
THOGUS PRODUCTS	33490 PIN DAK PARKWAY		
	AVON LAKE OHIO 44012		
SCALE	1:1	SHEET	1 of 1
REV	C		

100% INSPECTION REQUIRED FOR THIS PART