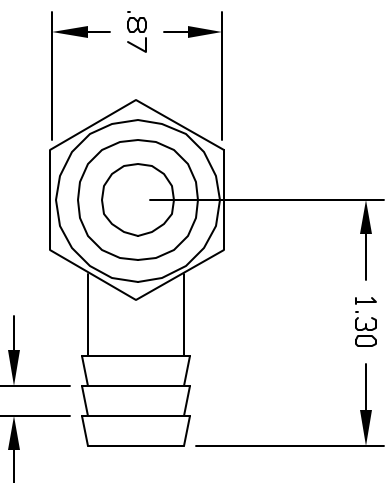
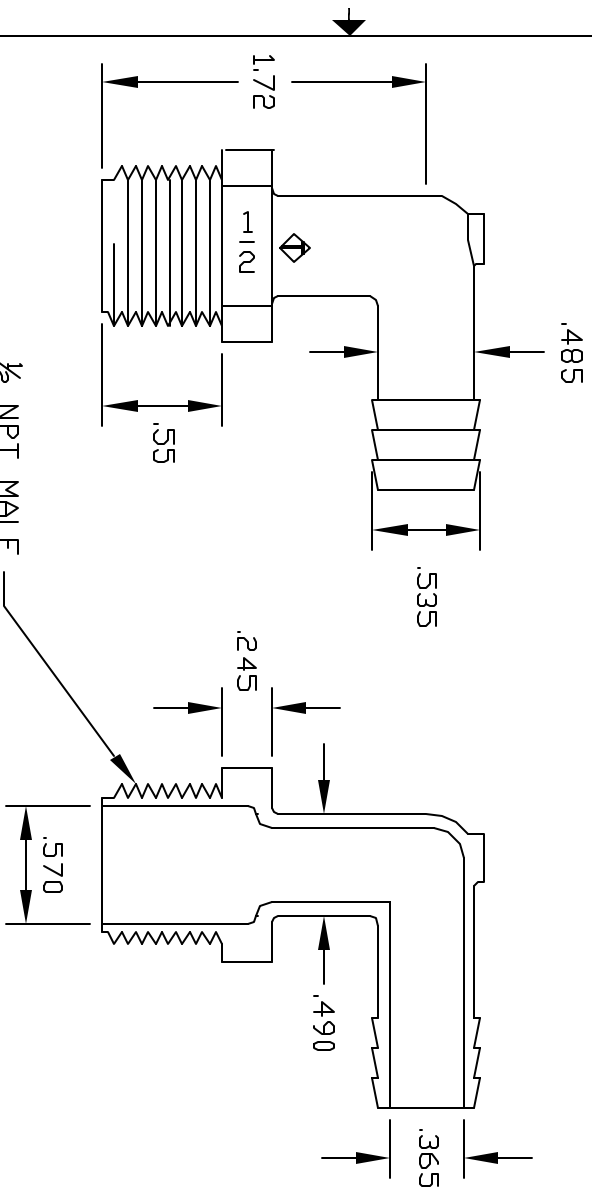


REVISIONS				
ZINC	REV	DESCRIPTION	DATE	APPROVED
	A	REDRAWN & RELEASED	5/98	5/98
	B	LEAD BARB	7/99	7/99
	C	.540 TD .550 1.11 TD 1.26 .500 TD .490 .90 TD .88	7/99	7/99



COLOR: BLACK (PPB)
NATURAL (PPN)

CONTROLLED DOCUMENT
ONLY IF IN RED

CONFIDENTIAL
THIS PRINT AND THE SPECIFICATIONS ARE THE PROPERTY OF THOGUS PRODUCTS COMPANY AND HAVE BEEN ISSUED WITH THE UNDERSTANDING THAT THEY ARE TO BE USED FOR THE MANUFACTURE OF THE PARTS AND WILL BE RETURNED UPON REQUEST.

UNLESS OTHERWISE SPECIFIED DIMENSIONS ARE IN INCHES
TOLERANCES
XX +/- .05
XX +/- .05
XXX +/- .015

DRAWN MS DATE 1/7/98
DESIGNED BY THOGUS
2088L/PP
MATERIAL POLYPROPYLENE

Part Name 1/2NPT X 1/2 BARB ELBOW
Part Number THOGUS 33490 PIN DAK PARKWAY PRODUCTS AYDN LAKE OHIO 44012
SCALE 1:1 SHEET 1 of 1

REV C