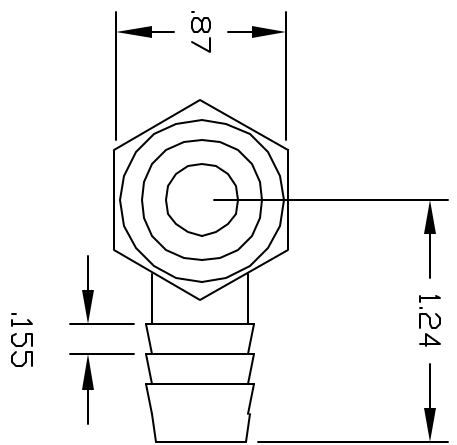
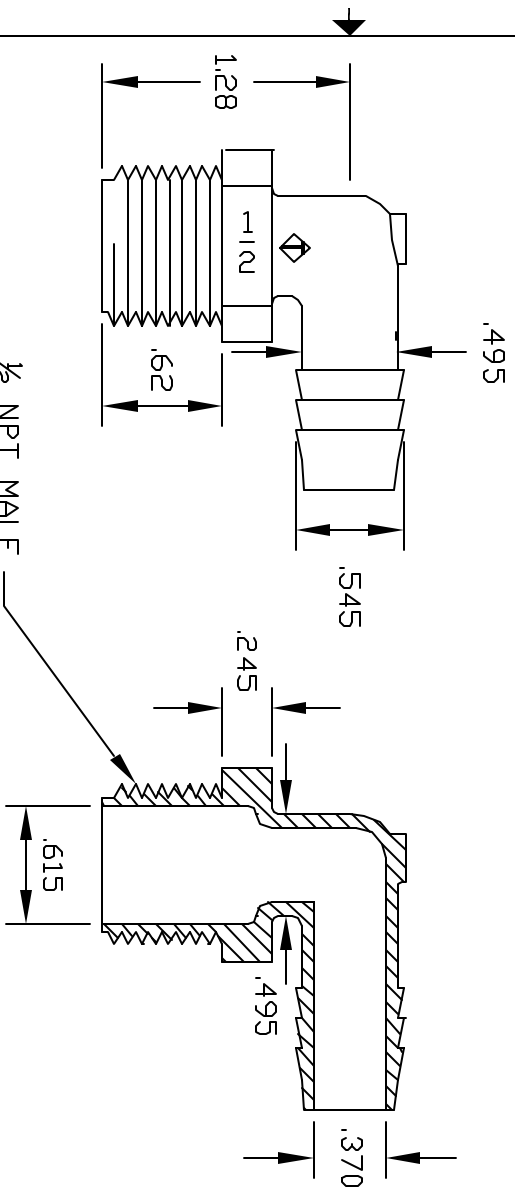


REVISIONS				
ZINC	REV	DESCRIPTION	DATE	APPROVED
	A	REDRAWN & RELEASED	5/98	5/98
	B	LEAD BARB	7/99	7/99
	C	.540 TD .550 1.11 TD 1.26 .500 TD .490 .90 TD .88	7/99	7/99



COLOR: BLACK (PPB)
NATURAL (PPN)

CONTROLLED DOCUMENT
ONLY IF IN RED

CONFIDENTIAL
THIS PRINT AND THE SPECIFICATIONS ARE THE PROPERTY OF THOGUS PRODUCTS COMPANY AND HAVE BEEN ISSUED WITH THE UNDERSTANDING THAT IT IS TO BE KEPT FOR THE MANUFACTURE OF THIS PRODUCT AND WILL BE RETURNED UPON REQUEST.

UNLESS OTHERWISE SPECIFIED DIMENSIONS ARE IN INCHES		Part Name	1/2NPT X 1/2 BARB	ELBDW
DECIMAL TOLERANCES	XX +/- .05	Part Number	FE2088/PP	
XXX +/- .015	YY .05	THOGUS PRODUCTS	33490 PIN DAK PARKWAY	
XXXX +/- .015	ZZ .05	AVON LAKE OHIO	44012	
DRAWN	MS	DATE	1/798	
DESIGNED	2088PP			
MATERIAL	POLYPROPYLENE	SCALE	1:1	
		SHEET	1	of 1

REV C