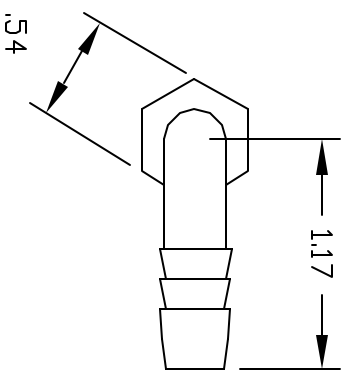
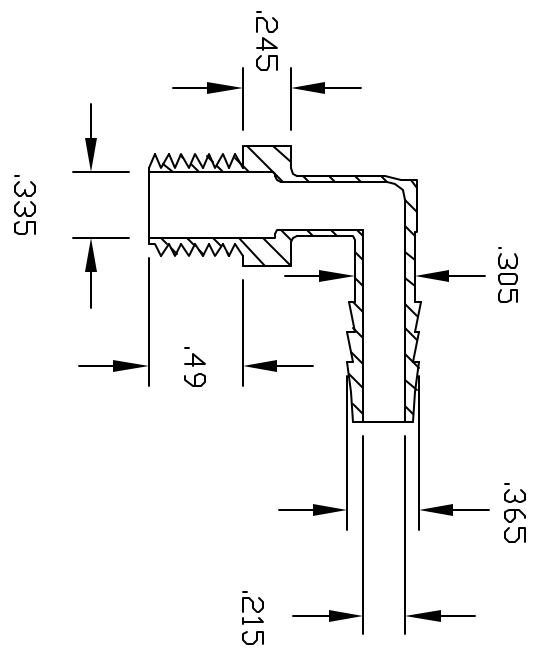
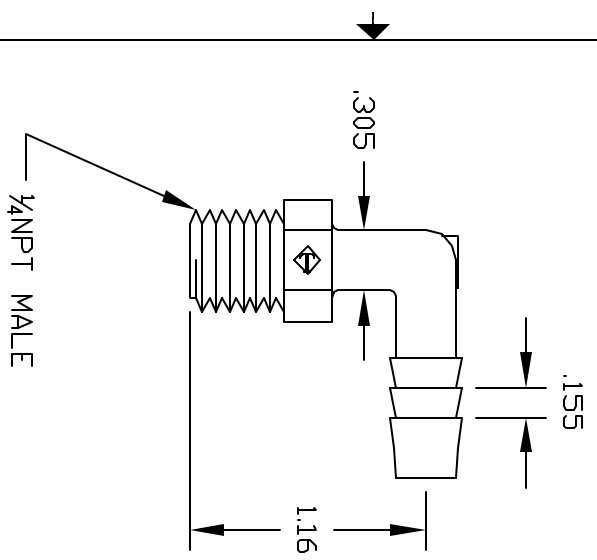


REVISIONS			
REV	DESCRIPTION	DATE	APPROVED
A	REDRAWN & RELEASED	10/97	10/97
B	1.15 WAS 1.12 .310 WAS .343	01/20/00	BM
C	UPDATE BARB	12/03	12/03



COLOR: BLACK (PPB)
NATURAL (PPN)

CONTROLLED DOCUMENT
ONLY IF IN RED

CONFIDENTIAL
THIS PRINT AND THE SPECIFICATIONS ARE THE PROPERTY OF THOGUS PRODUCTS COMPANY AND HAVE BEEN ISSUED WITH THE UNDERSTANDING THAT IT IS TO BE KEPT FOR THE USE OF THE MANUFACTURER FOR OTHERS AND WILL BE RETURNED UPON REQUEST.

UNLESS OTHERWISE SPECIFIED DIMENSIONS ARE IN INCHES		Part Number	
TOLERANCES		1/4NPT X 5/16 BARB ELBOW	
XX	+/- .05	THOGUS PRODUCTS	
XXX	+/- .015	33490 PIN OAK PARKWAY	
DRAWN NM		AVON LAKE OHIO 44012	
FEDSPEC 2045PP		Scale	
MATERIAL POLYPROPYLENE		TE2045/PP	
SCALE		SHEET 1 of 1	
REV		C	

THE COMPANY IS NOT RESPONSIBLE FOR THE CONSEQUENCES OF ANY MISUSE OF THIS INFORMATION.