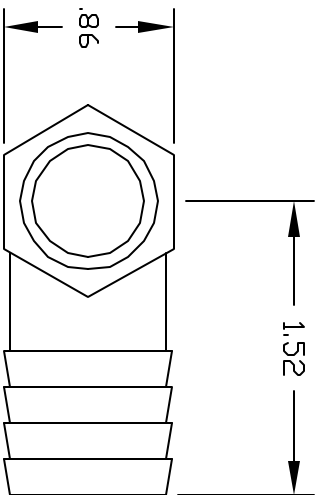
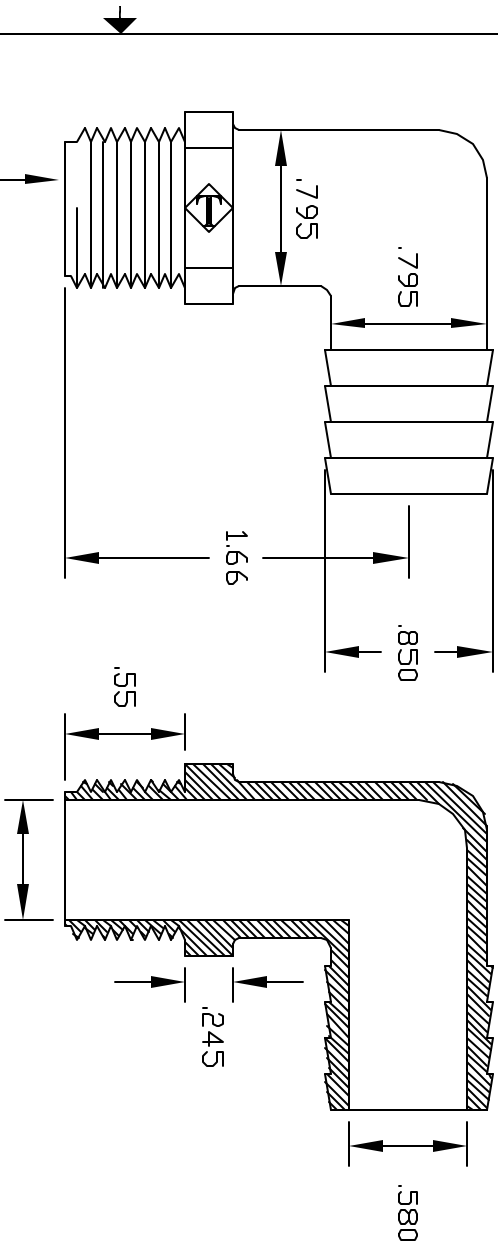


REVISIONS				
ZONE	REV	DESCRIPTION	DATE	APPROVED
	A	REDRAWN & RELEASED	5/98	5/98



CONTROLLED DOCUMENT
ONLY IF IN RED

CONDONATIONAL
THIS PRINT AND THE SPECIFICATIONS ARE THE PROPERTY OF THOGUS PRODUCTS COMPANY AND HAVE BEEN ISSUED WITH THE UNDERSTANDING THAT THE USER WILL BE RESPONSIBLE FOR THE MANUFACTURE OF THE PARTS AND WILL BE RETURNED UPON REQUEST.

UNLESS OTHERWISE SPECIFIED DIMENSIONS ARE IN INCHES	
DECIMAL FRACTIONS	±.015
XX ±.015	±.015
XXX ±.015	±.015

Part Name	1/2 NPT X 13/16 BARB ELBOW
Part Number	TE20813/P
Scale	1:1
Sheet	1 of 1
Rev	A
THOGUS PRODUCTS	33490 PIN DAK PARKWAY AYDON LAKE OHIO 44012
DRAWN	NM
CHECKED	
MATERIAL	POLYETHYLENE
DATE	5/98