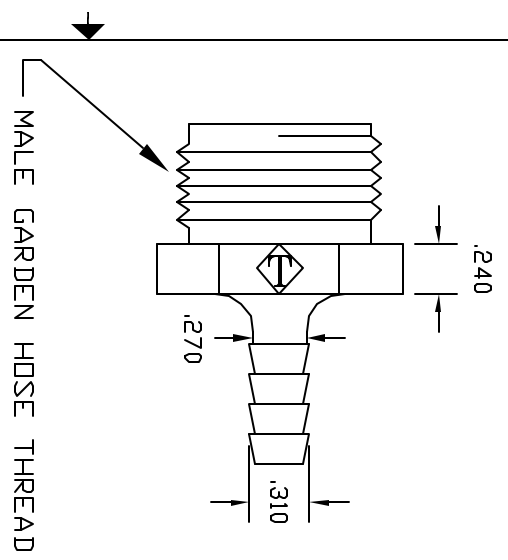
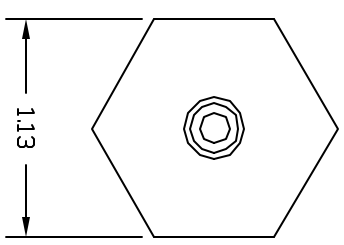
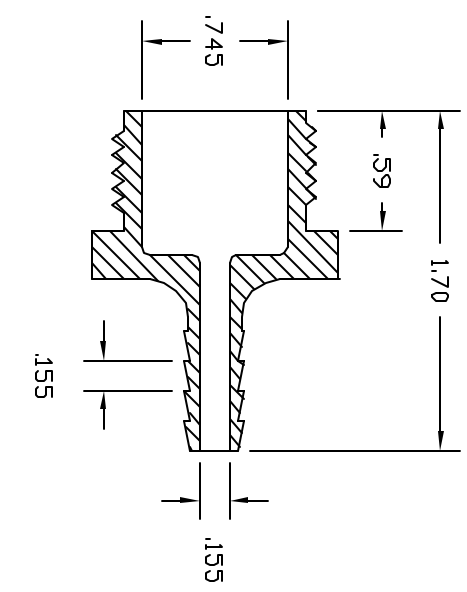


REVISIONS			
REV	DESCRIPTION	DATE	APPROVED
A	DRAWN & RELEASED	1/98	1/98
B	UPDATE DWG	9/07	9/07



MALE GARDEN HOSE THREAD

CONTROLLED DOCUMENT
ONLY IF IN RED

CONFIDENTIAL
THIS PRINT AND THE SPECIFICATIONS ARE THE PROPERTY OF THOGUS PRODUCTS COMPANY AND HAVE BEEN ISSUED WITH THE UNDERSTANDING THAT REVEALMENT TO ANY OTHERS OF THE MANUFACTURE FOR OTHERS AND WILL BE RETURNED UPON REQUEST.

UNLESS OTHERWISE SPECIFIED DIMENSIONS ARE IN INCHES DECIMAL TOLERANCES MILLAR XX +/- .05 XXX +/- .015		Part Number GARDEN HOSE THREAD X 1/4 BARB GARDEN HOSE THREAD ADAPTER	
DRAWN	NM	DATE	1/98
CHECKED		DATE	1/98
MATERIAL	NYLON	Part Number	GA104/N
THOGUS PRODUCTS 33490 PIN OAK PARKWAY AYOON LAKE OHIO 44012		REV	B
SHEET 1		of 1	