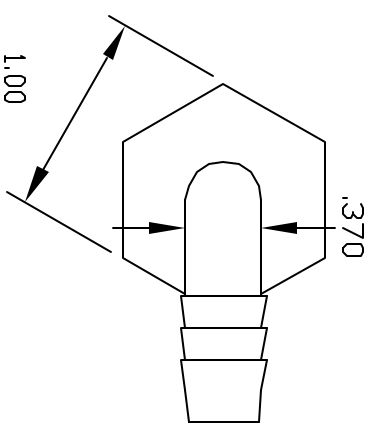
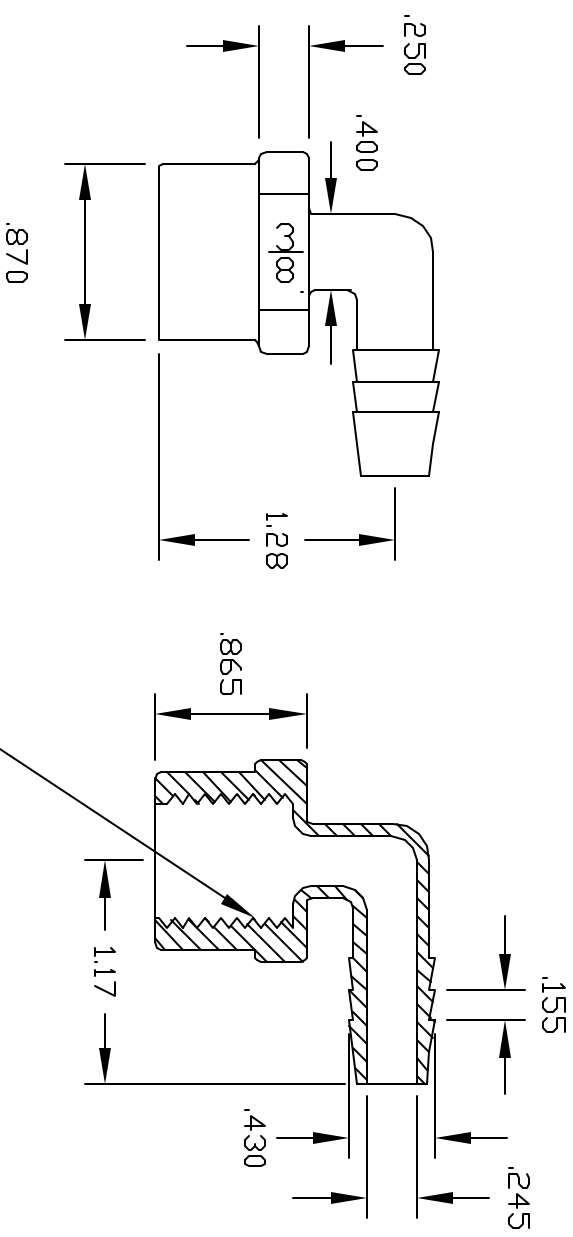


REV	DESCRIPTION	DATE	APPROVED
A	REDRAWN	10/01	10/01

REVISIONS



CONTROLLED DOCUMENT  
ONLY IF IN RED

<p>UNLESS OTHERWISE SPECIFIED DIMENSIONS ARE IN INCHES TOLERANCES XX <math>\pm</math> .005 XXX <math>\pm</math> .015 ANGULAR <math>\pm</math> .015</p>		<p>Part Number 3/8NPT FEMALE X 3/8 BARB FEMALE ELBOW</p>	
<p>COMMENTS THIS PRINT AND THE SPECIFICATIONS HEREON ARE THE PROPERTY OF THOGUS PRODUCTS COMPANY AND HAVE BEEN ISSUED WITH THE UNDERSTANDING THAT IT WILL NOT BE REPRODUCED, REVEALED TO OR USED FOR THE MANUFACTURE FOR OTHERS AND WILL BE RETURNED UPON REQUEST.</p>		<p>Part Number TEF2066/PPB</p>	
<p>DRINK BM</p>		<p>THOGUS PRODUCTS 33597 PIN DAK PARKWAY AVON LAKE OHIO 44012</p>	
<p>FLEXWARE TEF2066PPB</p>		<p>SCALE 1:1</p>	
<p>MATERIAL POLYPROPYLENE</p>		<p>SHEET 1 OF 1</p>	
		<p>REV A</p>	