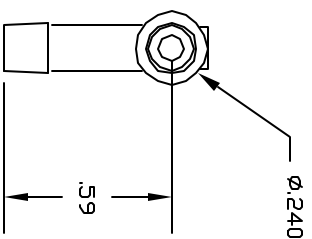
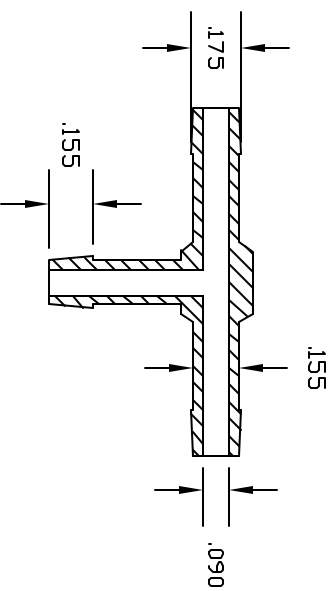
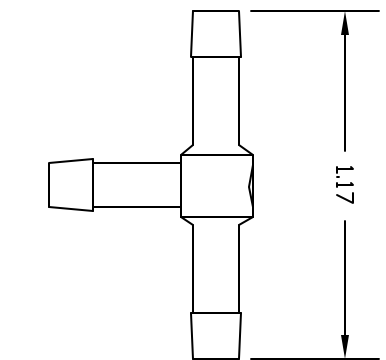
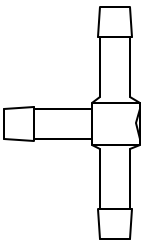


REV	DESCRIPTION	DATE	APPROVED
A	DRAWN AND RELEASED	2/98	2/98
B	UPDATE TOOLING	05/04	05/04
C	UPDATE DWG	9/07	9/07



ACTUAL SIZE



CONTROLLED DOCUMENT
ONLY IF IN RED

UNLESS OTHERWISE SPECIFIED DIMENSIONS ARE IN INCHES TOLERANCES DECIMALS ANGLES .XX +/- .05 .XX +/- .05		Part Name:	5/32 BARB X 5/32 BARB X 5/32 BARB	TEE
DRAWN	NM	DATE	2/98	
PLAUME	9156PP	Part Number:	TT 9156/PP	REV
MATERIAL	POLYPROPYLENE			C
		THOGUS PRODUCTS	33490 PIN OAK PARKWAY AVON LAKE OHIO 44012	
		SHEET	1	of
			1	

COLOR: BLACK (PPB)
NATURAL (PPN)