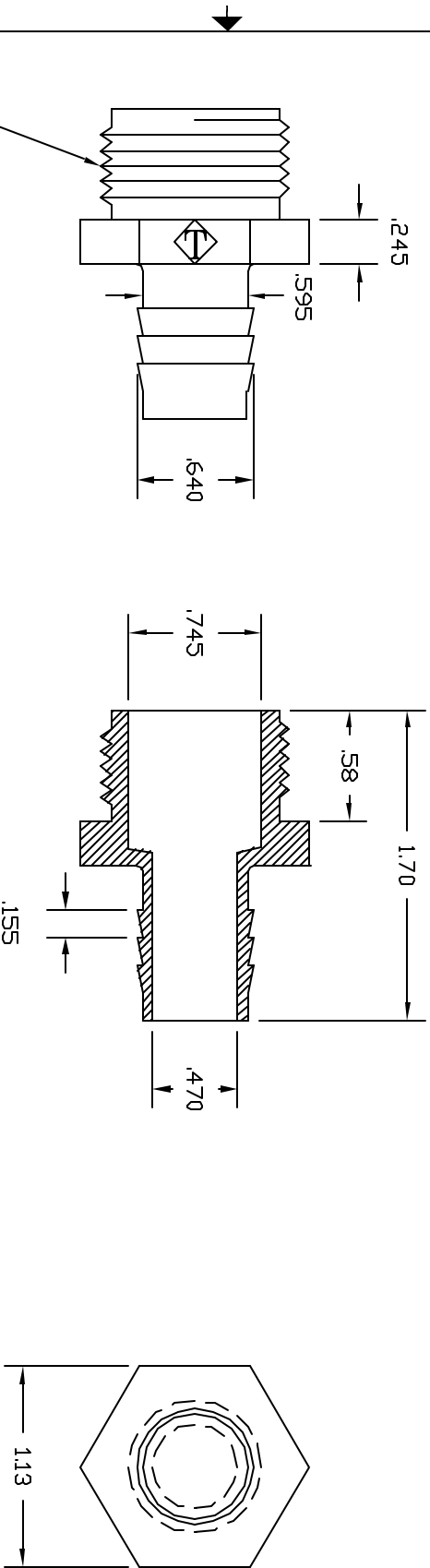


REVISIONS

REV	DESCRIPTION	DATE	APPROVED
A	REDRAWN & RELEASED	12/96	12/96
B	.030R REMOVED .580 WAS .590	1/97	1/97
C	GA-1010A/N WAS GA-1010/N	1/97	1/97
D	UPDATE DWG	9/07	9/07



MALE GARDEN HOSE THREAD

CONTROLLED DOCUMENT
ONLY IF IN RED

CONDONATIONAL
THIS PRINT AND THE SPECIFICATIONS ARE THE PROPERTY OF THOUGUS PRODUCTS COMPANY AND HAVE BEEN ISSUED WITH THE UNDERSTANDING THAT REVIEW AND REVISIONS OF THE MANUFACTURE FOR OTHERS AND WILL BE RETURNED UPON REQUEST.

UNLESS OTHERWISE SPECIFIED DIMENSIONS ARE IN INCHES		Part Number	
DECIMALS XX/100 XXX +/-0.01		GARDEN HOSE THREAD X 5/8 BARB GARDEN HOSE THREAD ADAPTER	
DRAWN	DATE	Part Number	REV
NM	12/96	GA1010/N	D
CHECKED	DATE	33490 PIN DAK PARKWAY AVON LAKE OHIO 44012	
MATERIAL	DATE	SHEET 1 of 1	
NYLON	12/96		

THOUGUS
PRODUCTS