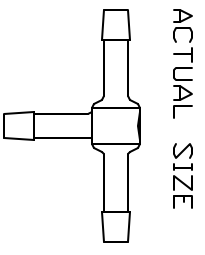
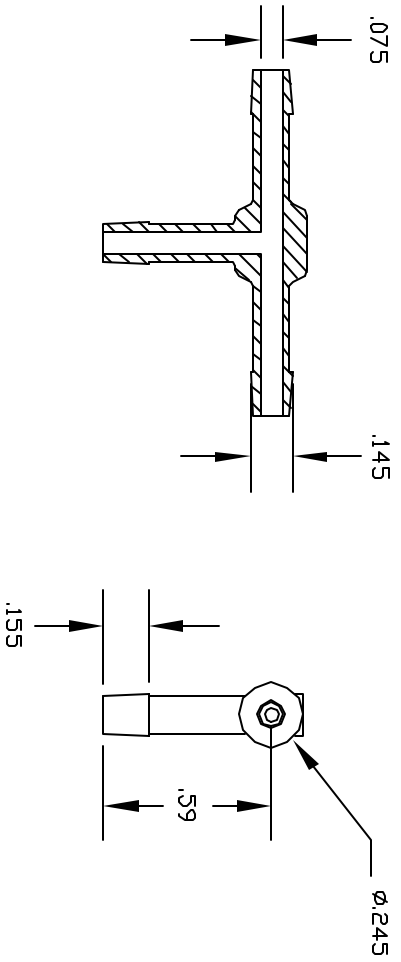


REV	DESCRIPTION	DATE	APPROVED
A	DRAWN AND RELEASED	2/98	2/98
B	ADD GATE PAD	5/04	5/04
C	UPDATE DWG	9/07	9/07



CONTROLLED DOCUMENT
ONLY IF IN RED

UNLESS OTHERWISE SPECIFIED DIMENSIONS ARE IN INCHES TOLERANCES ARE: DECIMALS ANGLE XXX +/- .015 +/- .05		Part Name 1/8 BARB X 1/8 BARB X 1/8 BARB MINI TEE	
DESIGN 9222P	DATE 2/98	Part Number TT9222/P	REV C
MATERIAL POLYETHYLENE		THOGUS PRODUCTS 33490 PIN DAK PARKWAY AYDON LAKE OHIO 44012	
DRAWN NM		SHEET 1 of 1	