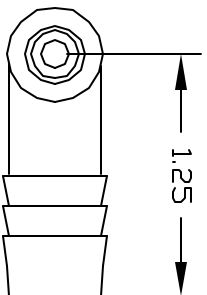
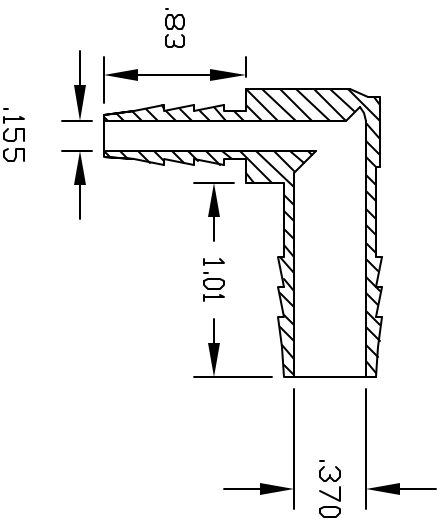
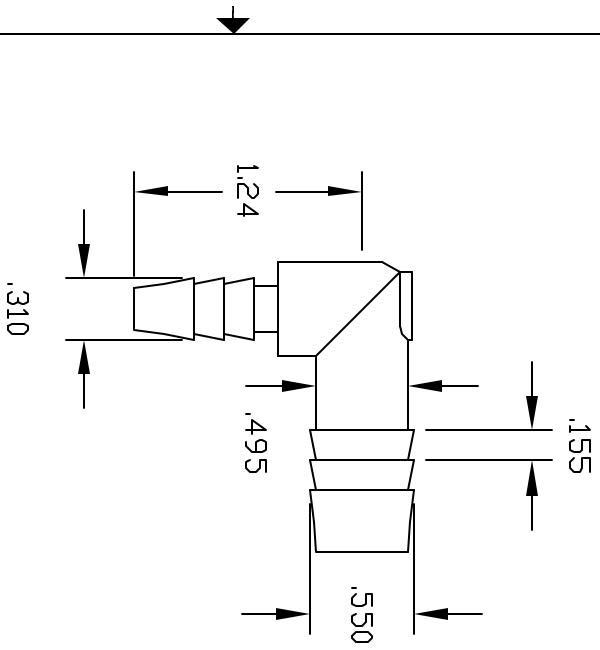


| REVISIONS | | | |
|-----------|--------------------|--------|----------|
| REV | DESCRIPTION | DATE | APPROVED |
| A | REDRAWN & RELEASED | 1/98 | 1/98 |
| B | MODIFIED 1/2" BARB | 5/3/00 | BM |



COLOR: BLACK (PPB)

NATURAL (PPN)

CONTROLLED DOCUMENT
ONLY IF IN RED

CONFIDENTIAL
THIS PRINT AND THE SPECIFICATIONS ARE THE PROPERTY OF THOGUS PRODUCTS COMPANY AND HAVE BEEN ISSUED WITH THE UNDERSTANDING THAT IT IS TO BE KEPT FOR THE USE OF THE MANUFACTURER FOR OTHERS AND WILL BE RETURNED UPON REQUEST.

| | |
|---|---------------|
| UNLESS OTHERWISE SPECIFIED DIMENSIONS ARE IN INCHES | |
| DETAILED DIMENSIONS | ±.005 |
| FINISH | ±.015 |
| STAMP | ±.015 |
| DRIVEN | ±.015 |
| MATERIAL | POLYPROPYLENE |
| DATE | 5/7/00 |
| DRAWN | BM |
| PREPARED | 2084-T/PP |

| | |
|-----------------|---|
| Part Name | 1/2 BARB X 1/4 BARB ELBOW |
| THOGUS PRODUCTS | 33490 PIN DAK PARKWAY AVON LAKE OHIO 44012 |
| Part Number | TE2084-T/PP |
| SCALE | 1:1 |
| SHEET | 1 of 1 |
| REV | B |