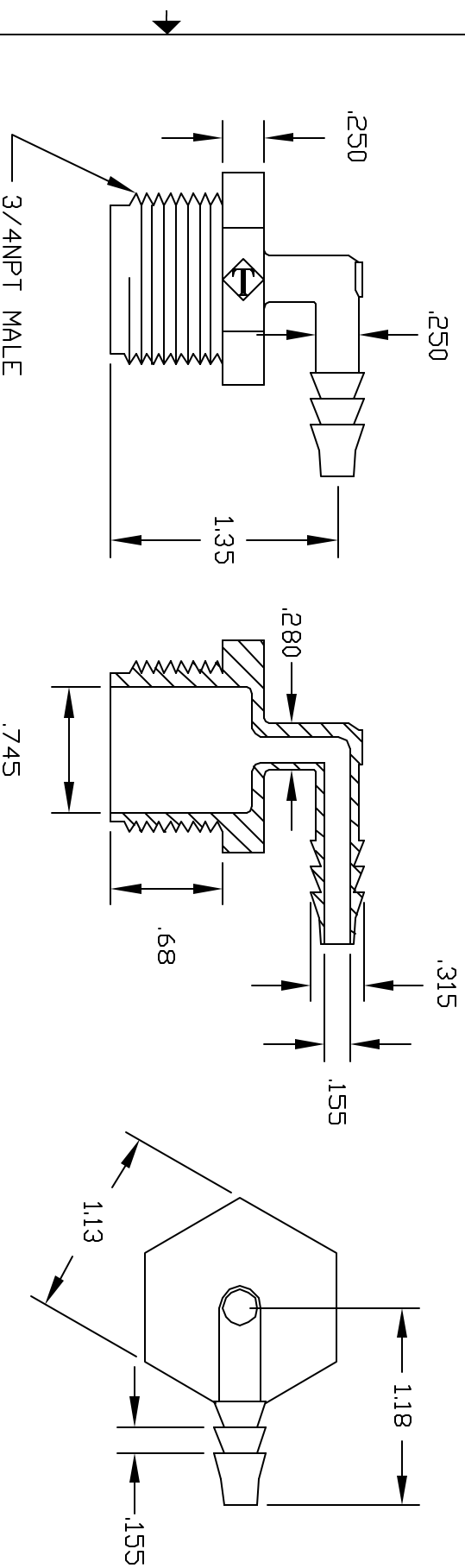


REVISIONS			
REV	DESCRIPTION	DATE	APPROVED
A	DRAWN & RELEASED	5/98	5/98
B	UPDATE DWG	10/07	10/07



CONTROLLED DOCUMENT  
ONLY IF IN RED

**CONFIDENTIAL**  
THIS PRINT AND THE SPECIFICATIONS ARE THE PROPERTY OF THOGUS PRODUCTS COMPANY AND HAVE BEEN ISSUED WITH THE UNDERSTANDING THAT IT IS TO BE KEPT FOR THE MANUFACTURE FOR OTHERS AND WILL BE RETURNED UPON REQUEST.

UNLESS OTHERWISE SPECIFIED DIMENSIONS ARE IN INCHES		DRAWN		DATE	
TOLERANCES		NM		5/98	
XX +/- .05		CHECKED		MATERIAL	
YY +/- .05		NYLON		TE20124/N	
ZZ +/- .015		DATE		REV	
MM +/- .015		5/98		B	
Part Number		3/4 NPT MALE X 1/4 BARBED ELBOW		SHEET 1 of 1	
THOGUS PRODUCTS		33490 PIN DAK PARKWAY		REV	
AYDON LAKE OHIO 44012		DATE		10/07	

THOGUS PRODUCTS COMPANY  
33490 PIN DAK PARKWAY  
AYDON LAKE, OHIO 44012  
TEL: 419-293-2200 FAX: 419-293-2201