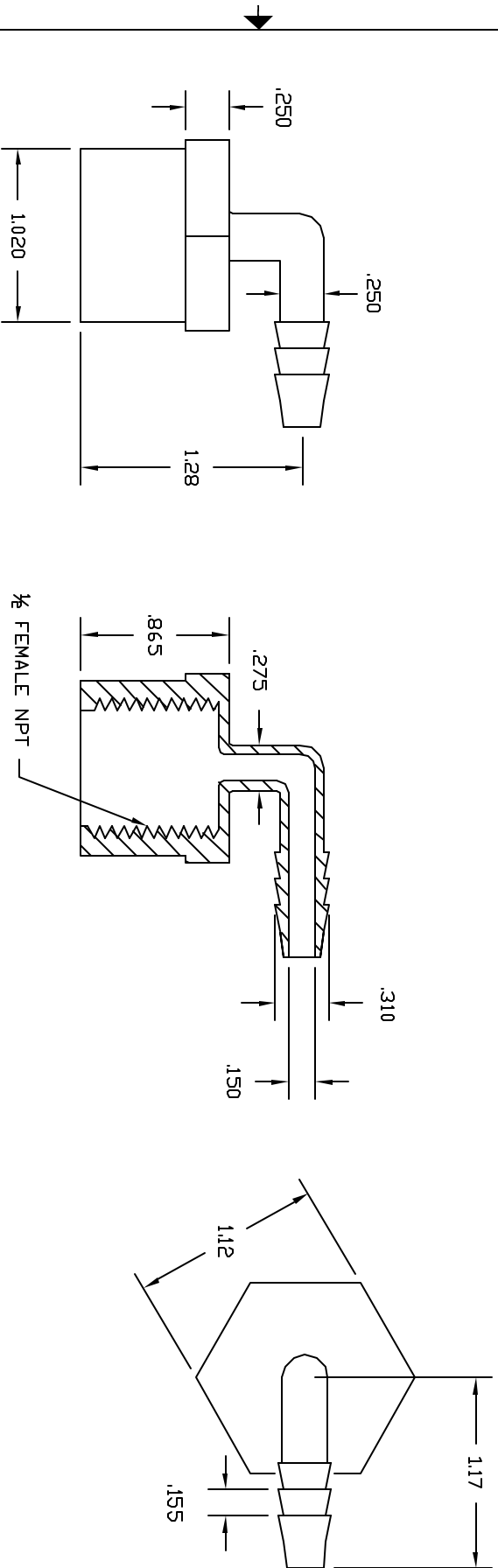


REVISIONS			
REV	DESCRIPTION	DATE	APPROVED
A	DRAWN	9/03	



CONTROLLED DOCUMENT
ONLY IF IN RED

CONFIDENTIAL
THIS PRINT AND THE SPECIFICATIONS ARE THE PROPERTY OF THOGUS PRODUCTS COMPANY AND HAVE BEEN ISSUED WITH THE UNDERSTANDING THAT REVEALMENT OF THE DESIGN OR THE MANUFACTURE FOR OTHERS AND WILL BE RETURNED UPON REQUEST.

UNLESS OTHERWISE SPECIFIED DIMENSIONS ARE IN INCHES	DESIGN TOLERANCES
	XX +/- .05
	XX +/- .05
	XXX +/- .05
DRAWN	DATE
NM	4/98
TEF2084PPB	
MATERIAL	
POLYPROPYLENE	

PART NAME:	1/2NPT FEMALE X 1/4 BARBED FEMALE ELBOW
THOGUS PRODUCTS	33490 PIN DAK PARKWAY AYDON LAKE OHIO 44012
Part Number	TEF2084/PPB
SCALE	1:1
SHEET	1 of 1
REV	A

THE INFORMATION CONTAINED HEREIN IS UNCLASSIFIED