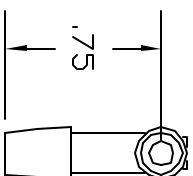
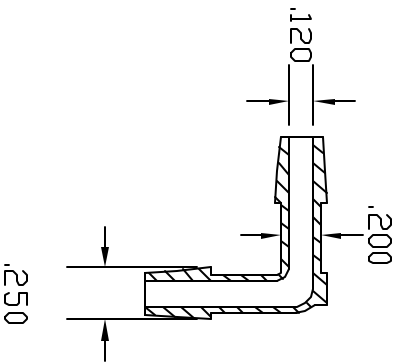
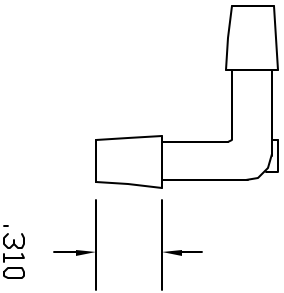


REV	DESCRIPTION	DATE	APPROVED
A	DRAWN	12/02	12/02
B	UPDATE DWG	9/07	9/07



CONTROLLED DOCUMENT
ONLY IF IN RED

CONFIDENTIAL
THIS PRINT AND THE SPECIFICATIONS ARE THE PROPERTY OF THOGUS PRODUCTS COMPANY AND HAVE BEEN ISSUED WITH THE UNDERSTANDING THAT IT WILL NOT BE REPRODUCED, REVEALED TO OR USED FOR THE MANUFACTURE FOR OTHERS AND WILL BE RETURNED UPON REQUEST.

UNLESS OTHERWISE SPECIFIED DIMENSIONS ARE IN INCHES		PART NAME	
DECIMALS	TOLERANCES	3/16 BARB X 3/16 BARB EL.BOW	
XX +/- .05	ANGULAR	THOGUS PRODUCTS 33490 PIN OAK PARKWAY	
XXX +/- .015	+/- .05	AVON LAKE OHIO 44012	
DRAWN	DATE	PART NUMBER	
BM	01/00	TE2033-T/N	
MATERIAL	TEMPERATURE	SCALE	SHEET
NYLON	2033-TN	1:1	1 OF 1
		REV	
		B	