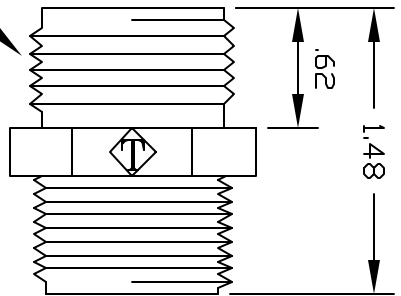
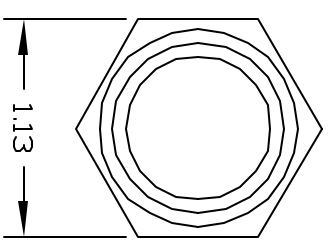
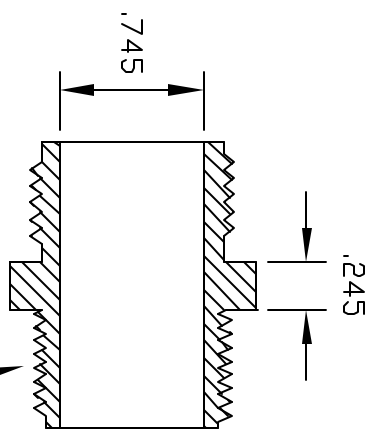


REVISIONS			
REV	DESCRIPTION	DATE	APPROVED
A	DRAWN & RELEASED	1/98	1/98
B	UPDATE DWG	9/07	9/07



MALE GARDEN HOSE THREAD



MALE 3/4 NPT

CONTROLLED DOCUMENT  
ONLY IF IN RED

THIS PRINT AND THE SPECIFICATIONS ARE THE PROPERTY OF THOGUS PRODUCTS COMPANY AND HAVE BEEN ISSUED WITH THE UNDERSTANDING THAT IT IS TO BE USED FOR THE MANUFACTURE OF THE PARTS AND WILL BE RETURNED UPON REQUEST.

UNLESS OTHERWISE SPECIFIED DIMENSIONS ARE IN INCHES		TOLERANCES	
DECIMALS	FRACTIONS	DECIMALS	FRACTIONS
XX	+/-.05	XX	+/-.05
XXX	+/-.015	XXX	+/-.015

DRAWN	NM	DATE	1/98
CHECKED			
MATERIAL	NYLON		

Part Number	3/4 NPT X GARDEN HOSE THREAD NIPPLE
THOGUS PRODUCTS	33490 PIN DAK PARKWAY AYDON LAKE OHIO 44012
Part Number	GPN12/N
REV	B

SHEET	1	of	1
-------	---	----	---