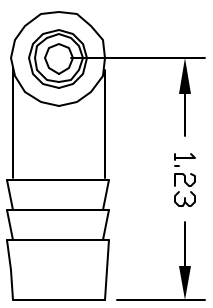
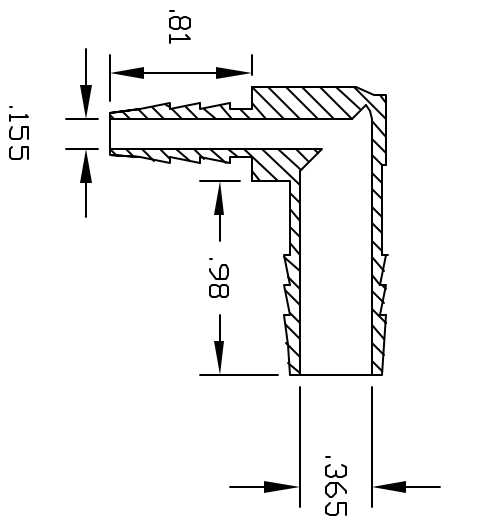
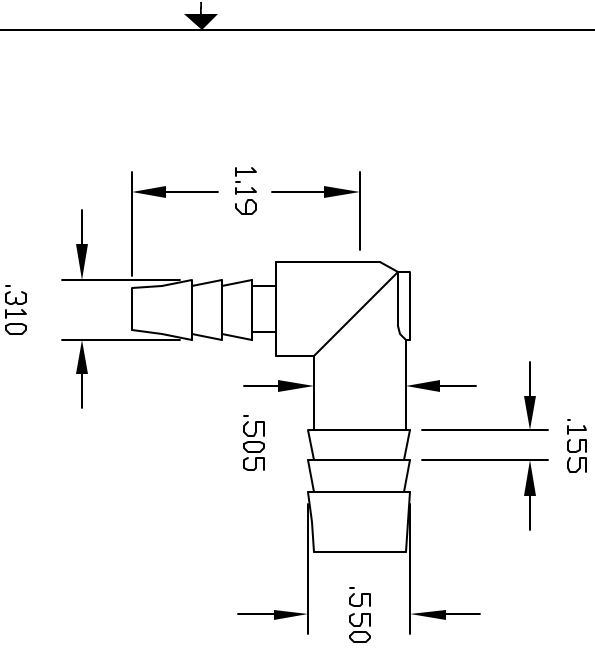


REVISIONS			
REV	DESCRIPTION	DATE	APPROVED
A	REDRAWN & RELEASED	1/98	1/98
B	MODIFIED 1/2" BARB	5/3/00	BM



THIS PRINT AND THE SPECIFICATIONS ARE THE PROPERTY OF THOGUS PRODUCTS COMPANY AND HAVE BEEN ISSUED WITH THE UNDERSTANDING THAT REVISIONS WILL BE MADE AS NECESSARY TO REFLECT THE MANUFACTURE FOR OTHERS AND WILL BE RETURNED UPON REQUEST.

UNLESS OTHERWISE SPECIFIED DIMENSIONS ARE IN INCHES		TOLERANCES	
XXX	+/- .05	XX	+/- .05
XXX	+/- .015	XX	+/- .015
DRAWN	BM	DATE	5/7/00
MATERIAL		POLYETHYLENE	
PART NAME		1/2 BARB X 1/4 BARB ELBOW	
PART NUMBER		TE2084-T/P	
SCALE		1:1	
SHEET		1 of 1	
REV		B	

CONTROLLED DOCUMENT
ONLY IF IN RED

THOGUS PRODUCTS
33490 PIN DAK PARKWAY
AVON LAKE OHIO 44012