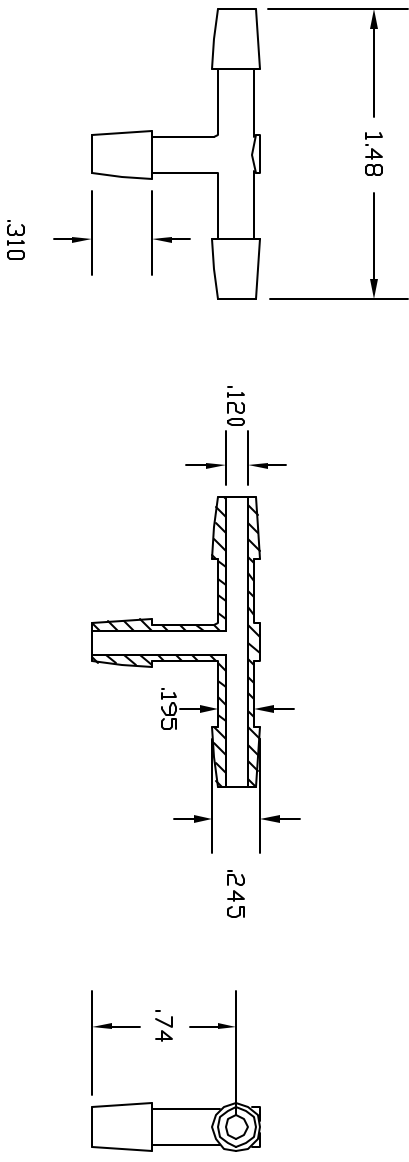


REV	DESCRIPTION	DATE	APPROVED
A	DRAWN	9/98	9/98
B	MODIFY BARBS	02/03	02/03
C	UPDATE DWG	9/07	9/07



COLOR: BLACK (PPB)

NATURAL (PPN)

CONTROLLED DOCUMENT
ONLY IF IN RED

UNLESS OTHERWISE SPECIFIED DIMENSIONS ARE IN INCHES DECIMALS .XX +/- .05 .XXX +/- .015 ANGLES +/- .05		Part Name: 3/16 BARB X 3/16 BARB X 3/16 BARBED TEE
DRAWN NM	DATE 9/98	THOGUS PRODUCTS 33490 PIN OAK PARKWAY AYOON LAKE OHIO 44012
FINISH 9333PP	MATERIAL POLYPROPYLENE	Part Number: TT9333/PP
		REV C
		SHEET 1 of 1