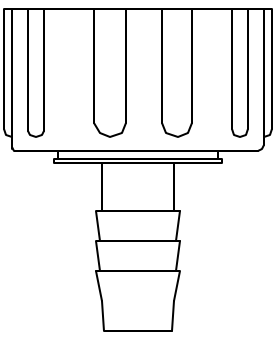
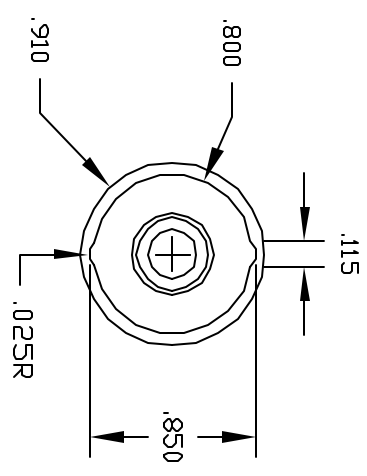
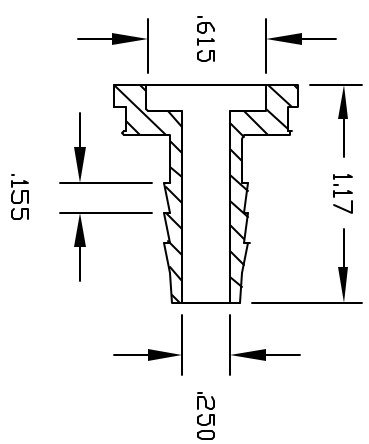
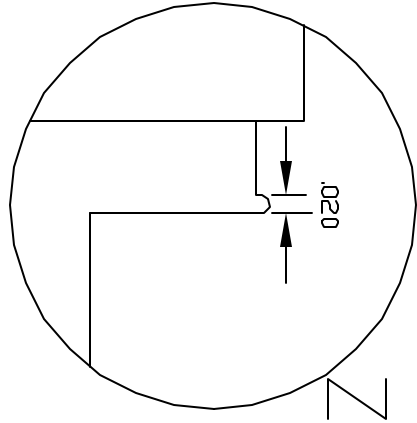
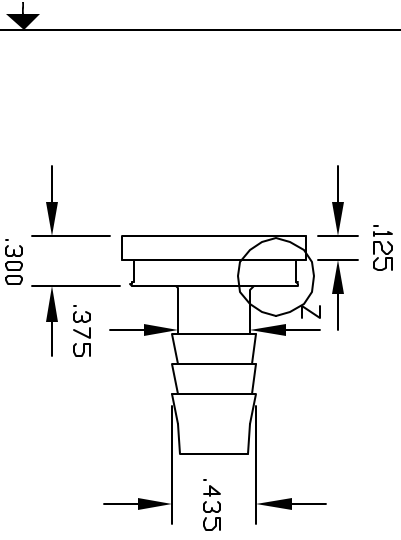


REVISIONS			
REV	DESCRIPTION	DATE	APPROVED
A	DRAWING RELEASE	7/97	7/97
B	MODIFY BARB	10/01	10/01
C	UPDATE DWG	9/07	9/07



TYPICAL APPLICATION

TO MATE WITH THOGUS PRODUCTS PART NUMBER GHN-12/N, FEMALE GARDEN HOSE THREAD (3/4" - 11.5)

UNLESS OTHERWISE SPECIFIED DIMENSIONS ARE IN INCHES
 DECIMAL TOLERANCES SHALL BE:
 .XXX +/- .015
 .XX +/- .05
 .X +/- .10
 XXX +/- .015

DRAWN	NM	DATE	7/97
CHECKED			
MATERIAL	NYLON		

Part Name:	3/8 BARBED GARDEN HOSE ADAPTER INSERT
Part Number:	GHA6/N
THOGUS PRODUCTS	33597 PIN DAK PARKWAY AVON LAKE OHIO 44012
REV	C
SHEET	1 of 1

CONTROLLED DOCUMENT
 ONLY IF IN RED

CONFIDENTIAL

THIS PRINT AND THE SPECIFICATIONS ARE THE PROPERTY OF THOGUS PRODUCTS COMPANY AND HAVE BEEN ISSUED WITH THE UNDERSTANDING THAT IT IS TO BE USED ONLY FOR THE MANUFACTURE FOR OTHERS AND WILL BE RETURNED UPON REQUEST.