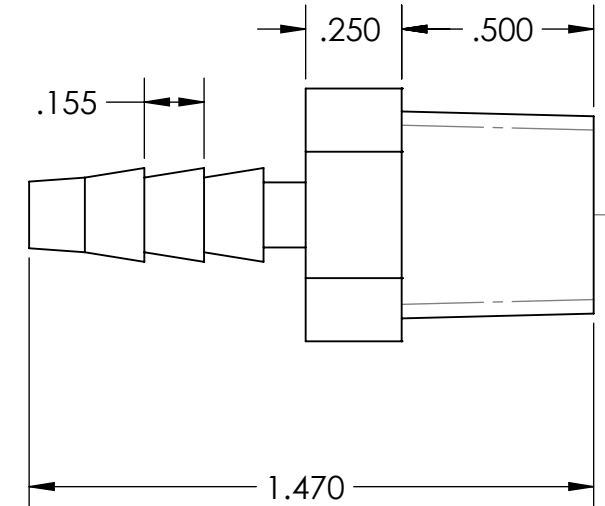
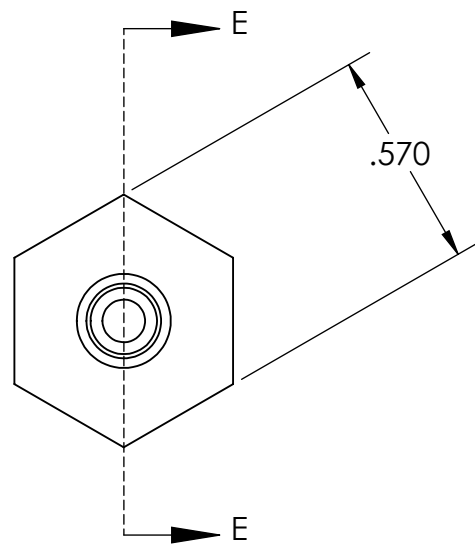
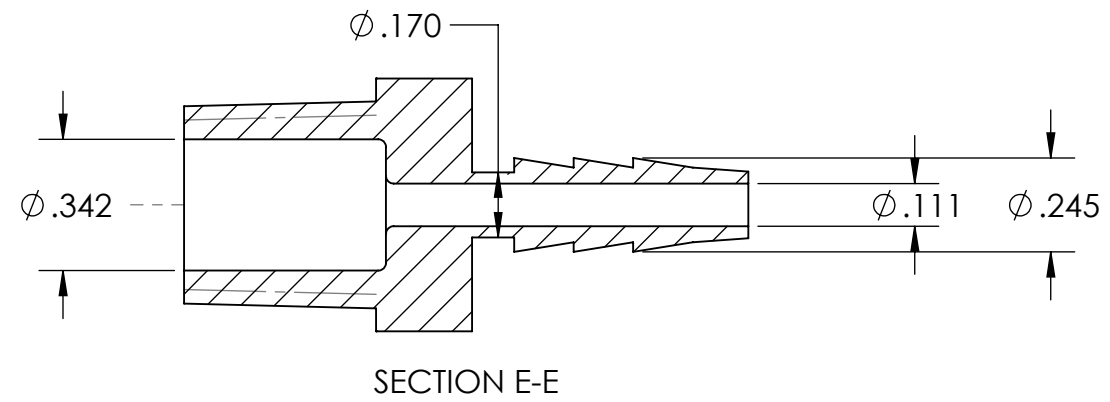
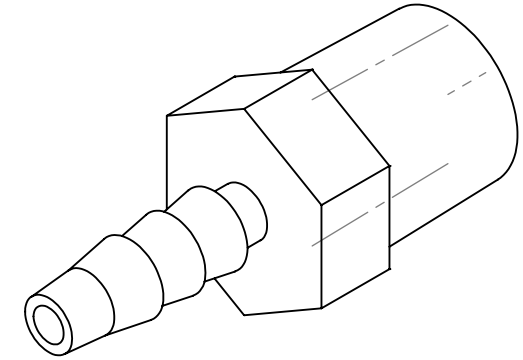


UNCONTROLLED IF PRINTED; CONTROLLED COPY LOCATD IN IQMS DOCUMENT CONTROL



PROPRIETARY AND CONFIDENTIAL
 THE INFORMATION CONTAINED IN THIS DRAWING IS THE SOLE PROPERTY OF THOGUS PRODUCTS COMPANY. ANY REPRODUCTION IN PART OR AS A WHOLE WITHOUT THE WRITTEN PERMISSION OF THOGUS PRODUCTS COMPANY IS PROHIBITED.

D	95.00053	CONVERTED TO 3D FORMAT	UNLESS OTHERWISE SPECIFIED: DIMENSIONS ARE IN INCHES TOLERANCES: ANGULAR: $\pm 0.5^\circ$ X.X = ± 0.1 X.XX = ± 0.05 X.XXX = ± 0.015 REMOVE ALL SHARP EDGES AND BURRS BLEND ALL RADII TO 0.01IN INTERPRET GEOMETRIC TOLERANCING PER: ANSI Y 14.5 1994 MATERIAL: N FINISH: N/A THIRD ANGLE PROJECTION:	NAME: CS DATE: 1/7/13	 33490 PIN OAK, AVON LAKE, OH 44012 TITLE: 1/4" NPT X 5/32" BARB ADAPTER	
				DRAWN: CS CHECKED: ENG APPR.: JM MFG APPR.: ML Q.A.: LT COMMENTS:		
REV	WRO#	DESCRIPTION		SIZE: B DWG. NO.: TA104532/P SCALE: 2:1		REV: D SHEET 1 OF 1
HISTORY			DO NOT SCALE DRAWING	MASS:		