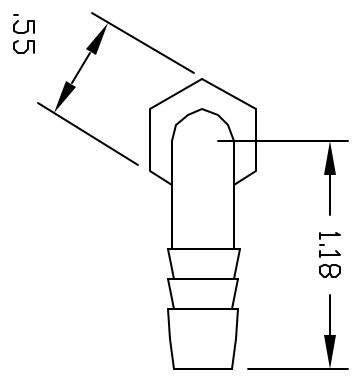
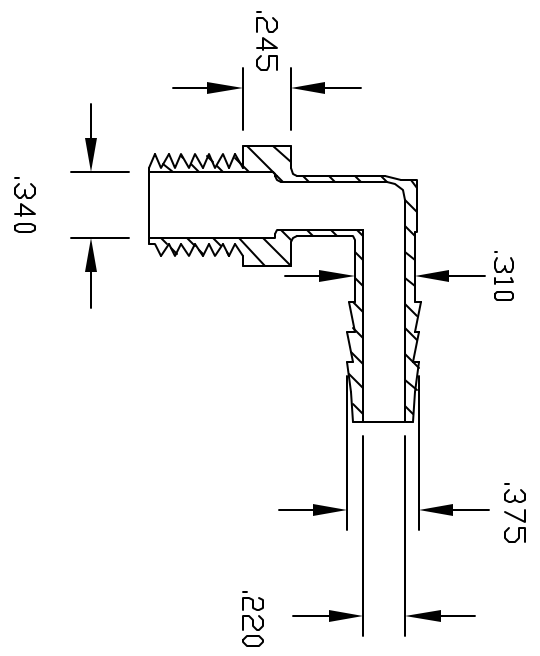
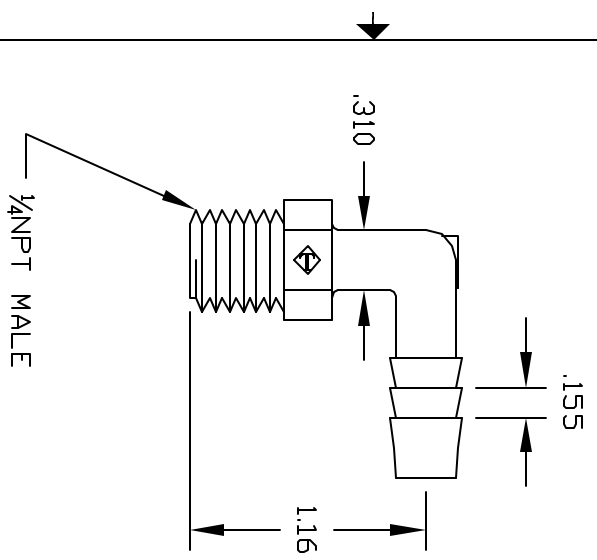


REVISIONS			
REV	DESCRIPTION	DATE	APPROVED
A	REDRAWN & RELEASED	10/97	10/97
B	1.15 WAS 1.12 .310 WAS .343	01/20/00	BM
C	UPDATE BARB	12/03	12/03



CONTROLLED DOCUMENT
ONLY IF IN RED

THIS PRINT AND THE SPECIFICATIONS ARE THE PROPERTY OF THOGUS PRODUCTS COMPANY AND HAVE BEEN ISSUED WITH THE UNDERSTANDING THAT IT IS TO BE USED FOR THE MANUFACTURE OF THE PARTS AND WILL BE RETURNED UPON REQUEST.

UNLESS OTHERWISE SPECIFIED DIMENSIONS ARE IN INCHES		TOLERANCES	
DRAWN NM		XX +/- .05	YY .05
MATERIAL NYLON		XXX +/- .015	
Part Number	1/4NPT X 5/16 BARB ELBOW	THOGUS PRODUCTS	33490 PIN DAK PARKWAY AYDON LAKE OHIO 44012
Part Number	TE2045/N	SCALE	SHEET 1 of 1
REV	C		