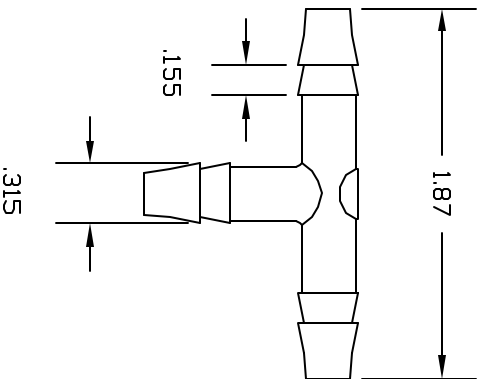
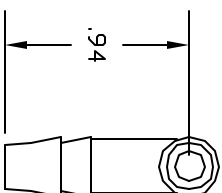
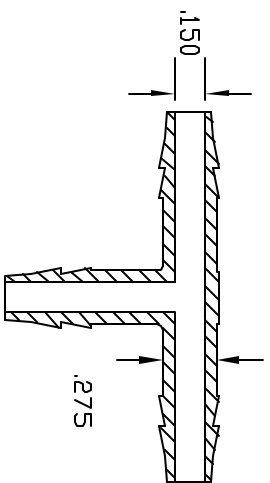


REVISIONS			
REV	DESCRIPTION	DATE	APPROVED
D	MODIFY BARBS	12/02	12/02
E	UPDATE DWG	9/07	9/07



CONTROLLED DOCUMENT
ONLY IF IN RED

UNLESS OTHERWISE SPECIFIED DIMENSIONS ARE IN INCHES TOLERANCES ARE: DECIMALS .XX +/- .005 ANGLES .XX +/- .015 DRAWN NM DATE 9/96		PART NAME 1/4 BARB X 1/4 BARB X 1/4 BARB TEE
MATERIAL POLYETHYLENE		THOGUS PRODUCTS 33490 PIN DAK PARKWAY AYDON LAKE OHIO 44012
PACKAGE 9444P	PRINT NUMBER 119444/P	REV F
SHEET 1 of 1		