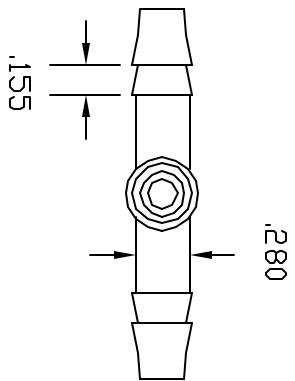
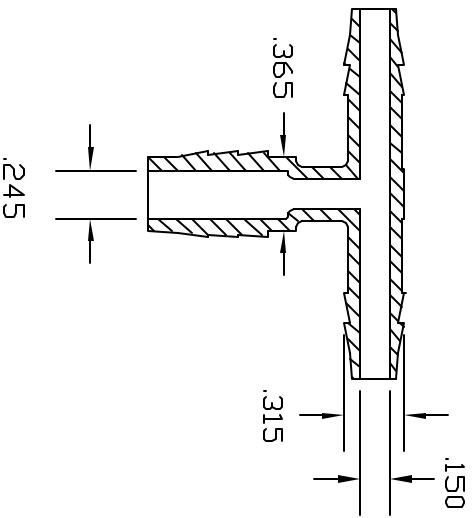
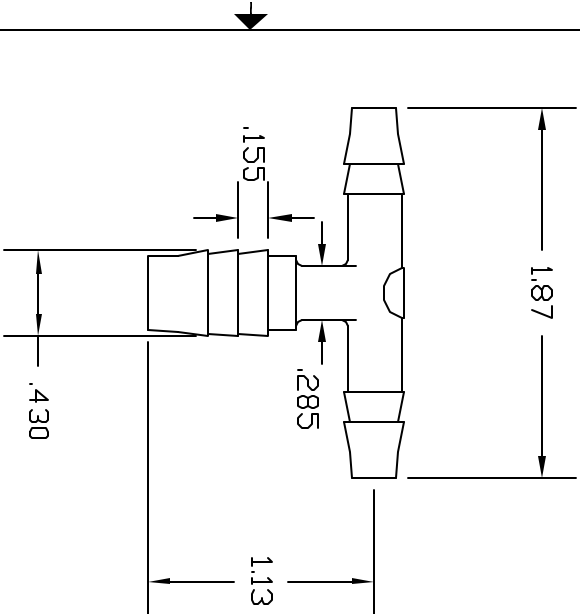


REVISIONS			
REV	DESCRIPTION	DATE	APPROVED
A	RELEASED	5/98	5/98
B	MODIFY BARBS	6/04	6/04
C	UPDATE DWG	9/07	9/07



CONTROLLED DOCUMENT  
ONLY IF IN RED

UNLESS OTHERWISE SPECIFIED DIMENSIONS ARE IN INCHES DECIMALS XXX +/- .015 XXX +/- .05 XXX +/- .015 XXX +/- .05		Part Name	
DRAWN	NM	DATE	5/98
DESIGNED	9644P	REV	C
MATERIAL		POLYETHYLENE	
THOGUS PRODUCTS		33490 PIN DAK PARKWAY AYDN LAKE OHIO 44012	
9644/P		SHEET 1 of 1	