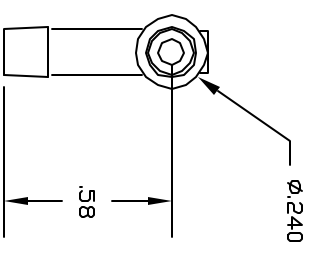
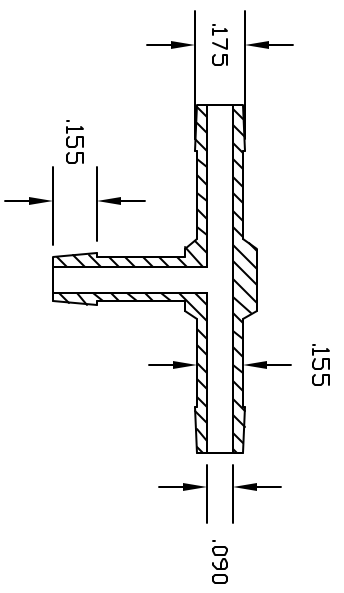
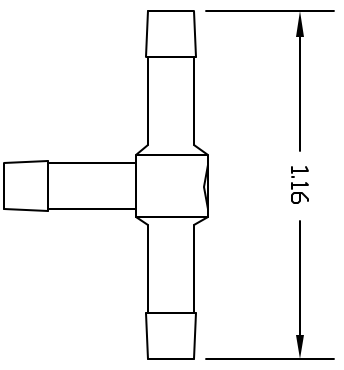
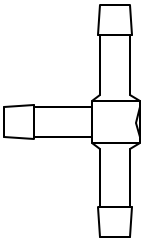


REVISIONS			
REV	DESCRIPTION	DATE	APPROVED
A	DRAWN AND RELEASED	2/98	2/98
B	UPDATE TOOLING	05/04	05/04
C	UPDATE DWG	9/07	9/07



ACTUAL SIZE



CONTROLLED DOCUMENT  
ONLY IF IN RED

UNLESS OTHERWISE SPECIFIED DIMENSIONS ARE IN INCHES TOLERANCES ARE: DECIMALS XXX +/- .015 ANGLES +/- .05		Part Name: 5/32 BARB X 5/32 BARB X 5/32 BARB TEE
DRAWN NM	DATE 2/98	<b>THOGUS PRODUCTS</b> 33490 PIN OAK PARKWAY AYOON LAKE OHIO 44012
PLAQUE 9156P		
MATERIAL POLYETHYLENE	Part Number TT 9156/P	REV C
	SHEET 1 of 1	