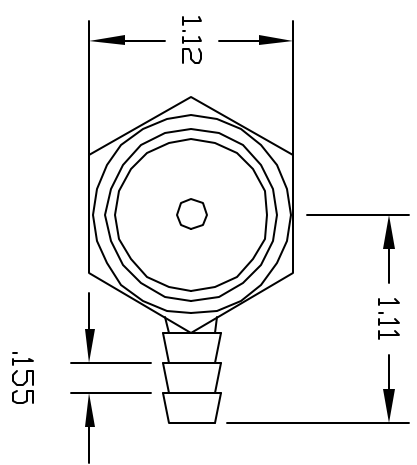
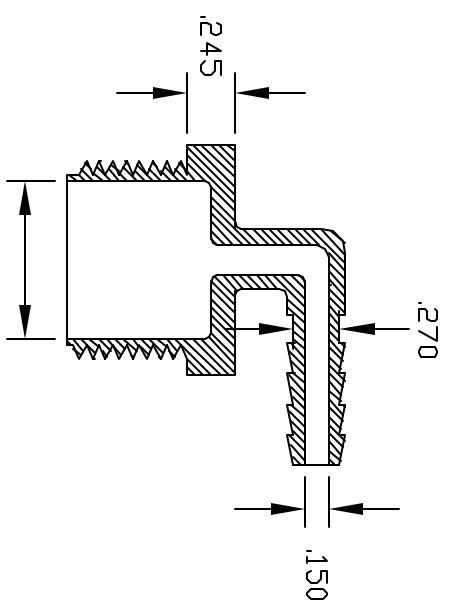
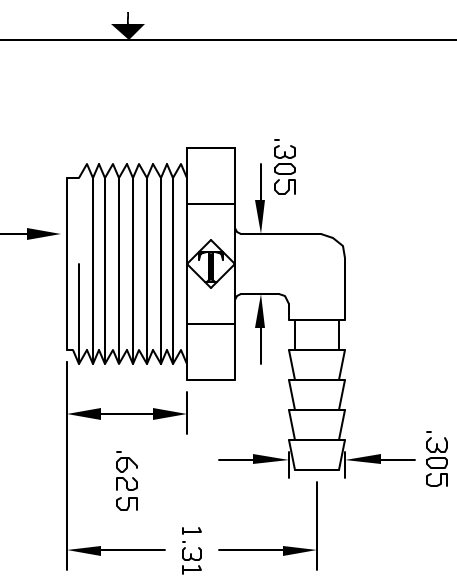


REVISIONS			
REV	DESCRIPTION	DATE	APPROVED
A	DRAWN & RELEASED	5/98	5/98
B	UPDATE DWG	10/07	10/07



COLOR: BLACK (PPB)  
 NATURAL (PPN)

CONTROLLED DOCUMENT  
 ONLY IF IN RED

**CONFIDENTIAL**  
 THIS PRINT AND THE SPECIFICATIONS ARE THE PROPERTY OF THOGUS PRODUCTS COMPANY AND HAVE BEEN ISSUED WITH THE UNDERSTANDING THAT THEY ARE TO BE USED FOR THE MANUFACTURE OF THE PARTS AND WILL BE RETURNED UPON REQUEST.

UNLESS OTHERWISE SPECIFIED DIMENSIONS ARE IN INCHES		TOLERANCES UNLESS SHOWN OTHERWISE	
DRAWN NM		DATE 5/98	
MATERIAL POLYPROPYLENE		Part Number TE20124/PP	
Part Number 3/4 NPT MALE X 1/4 BARBED ELBOW		33490 PIN DAK PARKWAY AYDON LAKE OHIO 44012	
SHEET 1 of 1		REV B	

THE INFORMATION CONTAINED HEREIN IS THE PROPERTY OF THOGUS PRODUCTS COMPANY AND IS TO BE USED ONLY FOR THE MANUFACTURE OF THE PARTS AND WILL BE RETURNED UPON REQUEST.