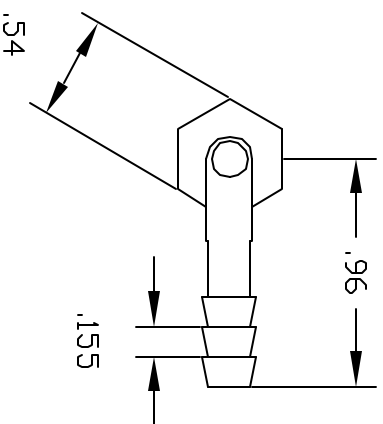
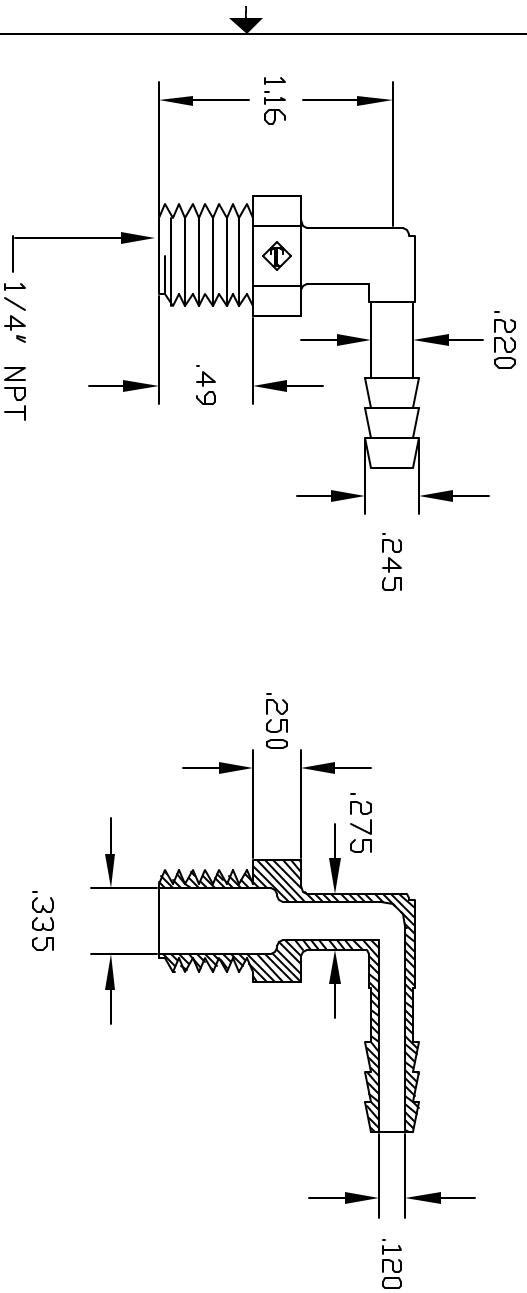


REVISIONS			
REV	DESCRIPTION	DATE	APPROVED
A	REDRAWN & RELEASED	5/98	5/98
B	MODIFY BARBS	05/0305/03	



COLOR: BLACK (PPB)

NATURAL (PPN)

UNLESS OTHERWISE SPECIFIED DIMENSIONS ARE IN INCHES TOLERANCES XX +/- .05 XX +/- .05 XXX +/- .015		DRAWN NM	DATE 5/98	Part Name 1/4NPT X 3/16 BARB ELBOW
THIS PRINT AND THE SPECIFICATIONS ARE THE PROPERTY OF THOGUS PRODUCTS COMPANY AND HAVE BEEN ISSUED WITH THE UNDERSTANDING THAT THE USER WILL BE RESPONSIBLE FOR REVIEWING THE DRAWING FOR MANUFACTURE FOR OTHERS AND WILL BE RETURNED UPON REQUEST.		DRAWN NM	DATE 5/98	Part Number TE2043/PP
CONTROLLED DOCUMENT ONLY IF IN RED		MATERIAL POLYPROPYLENE	SCALE 1:1	REV B
THOGUS PRODUCTS 33490 PIN DAK PARKWAY AYOON LAKE OHIO 44012		SHEET 1 of 1		REV B