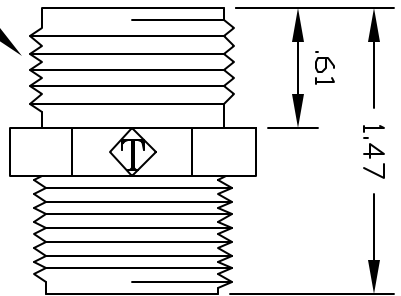
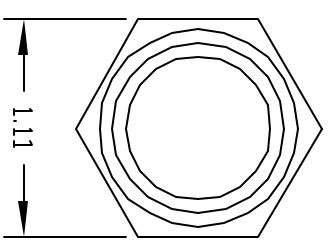
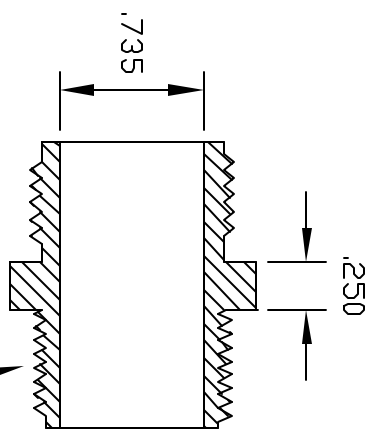


REVISIONS			
REV	DESCRIPTION	DATE	APPROVED
A	DRAWN & RELEASED	1/98	1/98
B	UPDATE DWG	9/07	9/07



MALE GARDEN HOSE THREAD



MALE 3/4 NPT

CONTROLLED DOCUMENT
ONLY IF IN RED

CONFIDENTIAL
THIS PRINT AND THE SPECIFICATIONS ARE THE PROPERTY OF THOGUS PRODUCTS COMPANY AND HAVE BEEN ISSUED WITH THE UNDERSTANDING THAT IT IS TO BE USED FOR THE MANUFACTURE OF THE PARTS AND WILL BE RETURNED UPON REQUEST.

UNLESS OTHERWISE SPECIFIED DIMENSIONS ARE IN INCHES		TOLERANCES	
DECIMALS		FRACTIONS	
XX +/- .05		XX +/- .01	
XXX +/- .015			
DRAWN	NM	DATE	1/98
CHECKED			
MATERIAL	POLYPROPYLENE BLACK		
Part Number		3/4 NPT X GARDEN HOSE THREAD NIPPLE	
THOGUS PRODUCTS		33490 PIN DAK PARKWAY AVON LAKE OHIO 44012	
Part Number	GPN12/PPB	REV	B
SHEET	1	OF	1