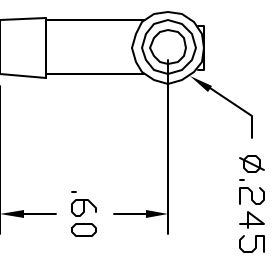
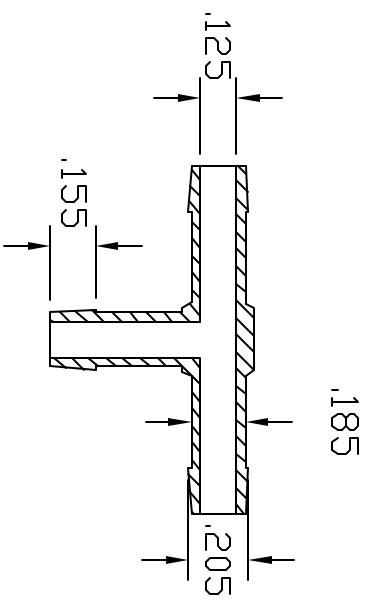
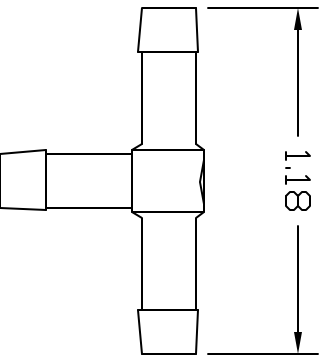
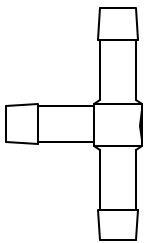


REVISIONS			
REV	DESCRIPTION	DATE	APPROVED
A	DRAWN AND RELEASED	2/98	2/98
B	UPDATE TOOLING	5/04	5/04
C	UPDATE DWG	9/07	9/07



ACTUAL SIZE



CONTROLLED DOCUMENT
ONLY IF IN RED

UNLESS OTHERWISE SPECIFIED DIMENSIONS ARE IN INCHES TOLERANCES ARE AS FOLLOWS		Part Name
DECIMALS .XX +/- .05	ANGLES ANGLARS +/- .05	3/16 BARB X 3/16 BARB X 3/16 BARB MINI TEE
FRAMING 9187N	DATE 2/98	THOGUS PRODUCTS 33490 PIN OAK PARKWAY AYOON LAKE OHIO 44012
DRAWN NM	REV C	
MATERIAL NYLON	Part Number TT9187/N	SHEET 1 of 1