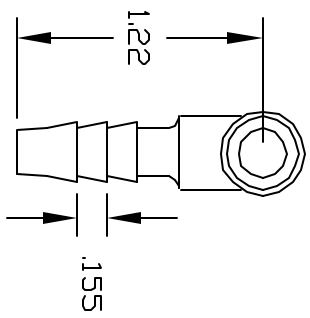
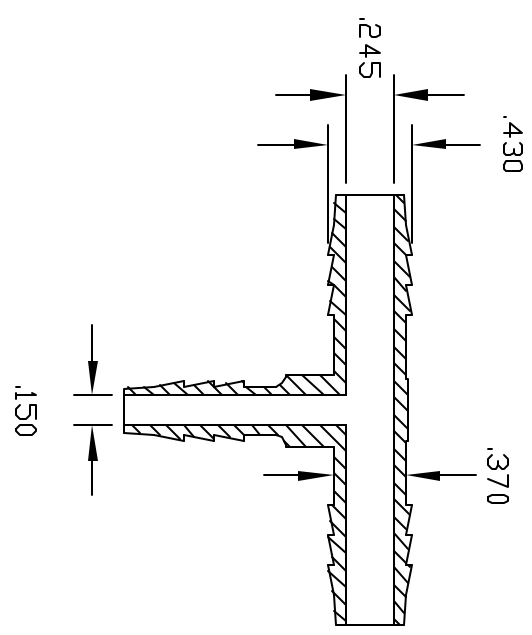
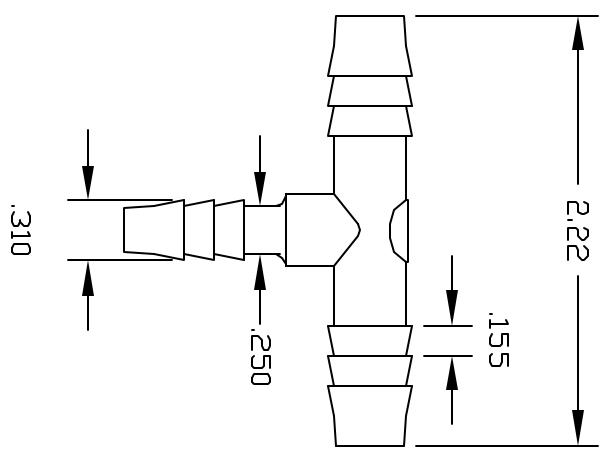


REVISIONS			
REV	DESCRIPTION	DATE	APPROVED
A	REDRAWN & RELEASED	4/98	4/98
B	MODIFY BARBS	5/04	5/04
C	UPDATE DWG	9/07	9/07



COLOR: BLACK (PPB)

NATURAL (PPN)

**CONFIDENTIAL**  
 THIS PRINT AND THE SPECIFICATIONS ARE THE PROPERTY OF THOGUS PRODUCTS COMPANY AND HAVE BEEN ISSUED WITH THE UNDERSTANDING THAT ALL INFORMATION CONTAINED HEREIN IS UNCLASSIFIED FOR OTHERS AND WILL BE RETURNED UPON REQUEST.

UNLESS OTHERWISE SPECIFIED DIMENSIONS ARE IN INCHES		Part Name	
PRECISION TOLERANCES	XX +/- .05	1/4 BARB X 3/8 BARB X 3/8 BARB TEE	
XXX +/- .015	YY .05		
DRAWN	NM	DATE	4/98
DESIGNED	9466PP	THOGUS PRODUCTS 33490 PIN OAK PARKWAY	
MATERIAL	POLYPROPYLENE	AYDON LAKE OHIO 44012	
REV	C	SHEET	1 of 1

CONTROLLED DOCUMENT  
 ONLY IF IN RED