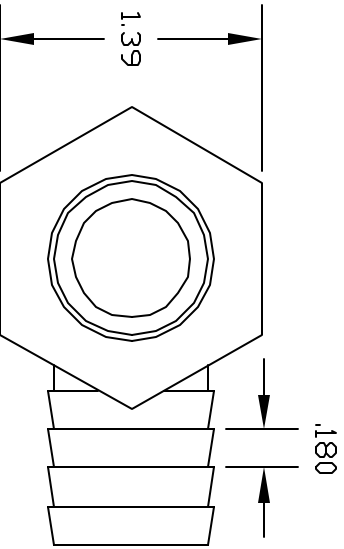
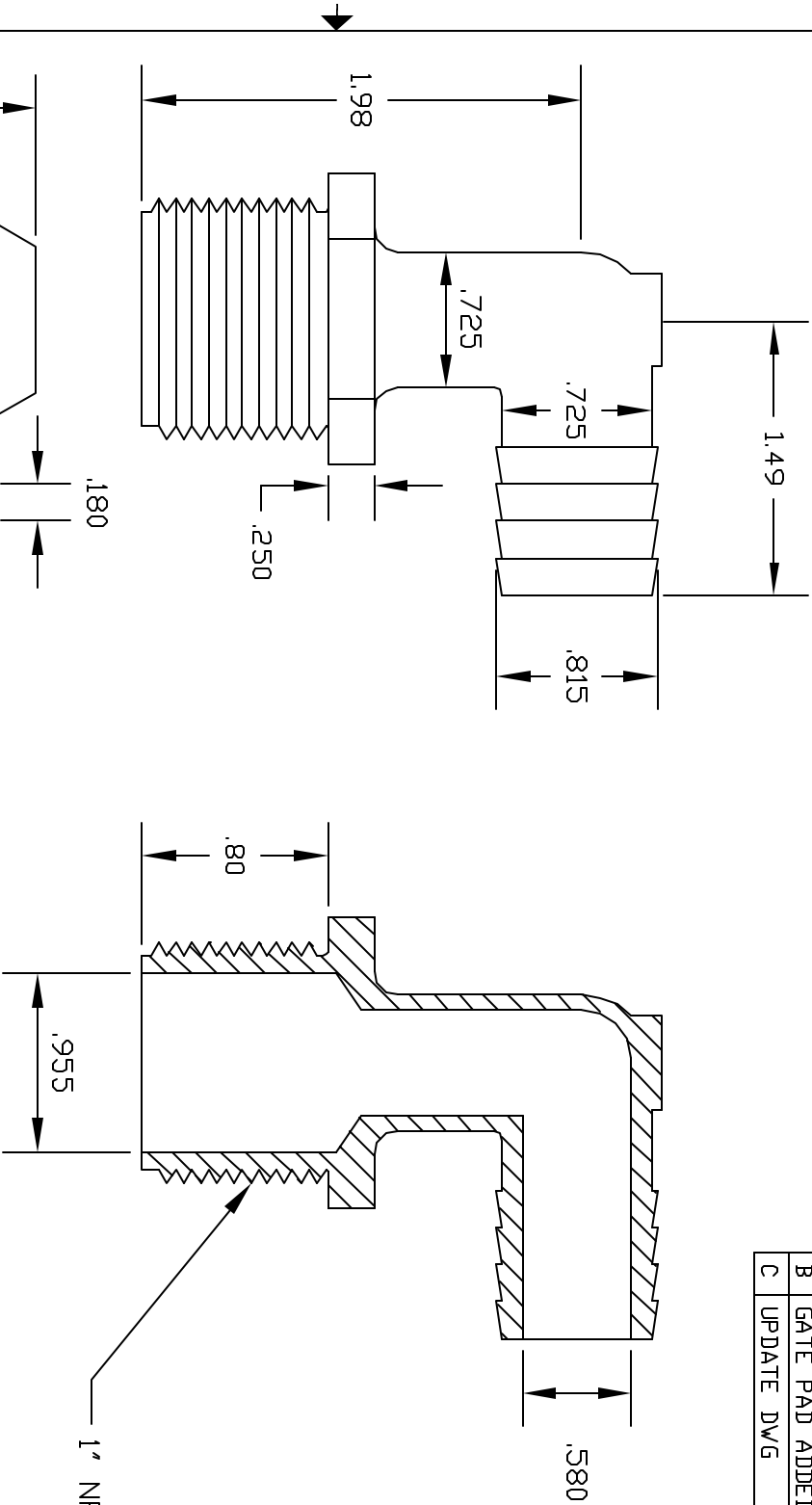


REVISIONS			
REV	DESCRIPTION	DATE	APPROVED
A	REDRAWN AND RELEASED	5/98	5/98
B	GATE PAD ADDED	9/98	9/98
C	UPDATE DWG	9/07	9/07



CONTROLLED DOCUMENT
ONLY IF IN RED

CONFIDENTIAL
THIS PRINT AND THE SPECIFICATIONS ARE THE PROPERTY OF THOGUS PRODUCTS COMPANY AND HAVE BEEN LOANED TO THE USER UNDER THE CONDITION THAT THE USER WILL NOT REPRODUCE OR MANUFACTURE FOR OTHERS AND WILL BE RETURNED UPON REQUEST.

UNLESS OTHERWISE SPECIFIED DIMENSIONS ARE IN INCHES		TOLERANCES ARE:	
DECIMALS	ANGLES	FRAMES	ROUNDS
.XX +/- .05	± .05	± .05	± .05
XXX +/- .015			
DRAWN	NM	DATE	5/98
DESIGNED			
PART NUMBER	201612N	MATERIAL	NYLON
SCALE	1:1	SHEET	1 OF 1
Part Name 1 NPT X 3/4 BARB ELBOW		Part Number TE201612/N	
THOGUS PRODUCTS 33490 PIN DAK PARKWAY AVON LAKE OHIO 44012		REV C	

THOGUS PRODUCTS COMPANY
33490 PIN DAK PARKWAY
AVON LAKE, OHIO 44012
TEL: 440.933.8800 FAX: 440.933.8801
WWW.THOGUS.COM