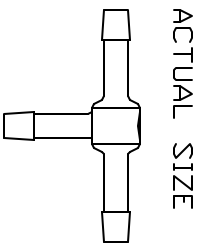
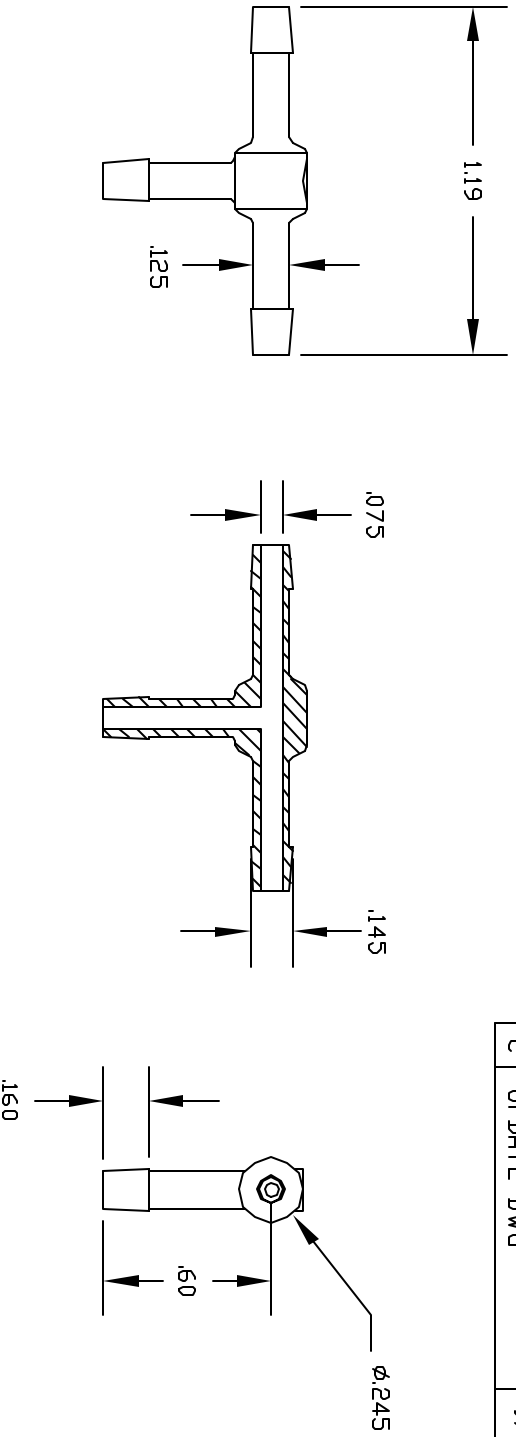


REV	DESCRIPTION	DATE	APPROVED
A	DRAWN AND RELEASED	2/98	2/98
B	ADD GATE PAD	5/04	5/04
C	UPDATE DWG	9/07	9/07

RENSKINS



CONTROLLED DOCUMENT
ONLY IF IN RED

UNLESS OTHERWISE SPECIFIED DIMENSIONS ARE IN INCHES TOLERANCES DECIMALS ANGULARS .XX +/- .05 +/- .05 .XXX +/- .015		Part Name 1/8 BARB X 1/8 BARB X 1/8 BARB MINI TEE
DRAWN NM	DATE 2/98	THOGUS PRODUCTS 33490 PIN OAK PARKWAY AYOON LAKE OHIO 44012
DESIGN 9222N	Part Number TT9222/N	
MATERIAL NYLON		SHEET 1 of 1
		REV C