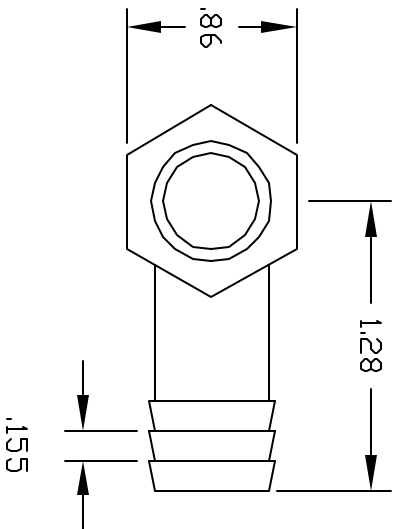
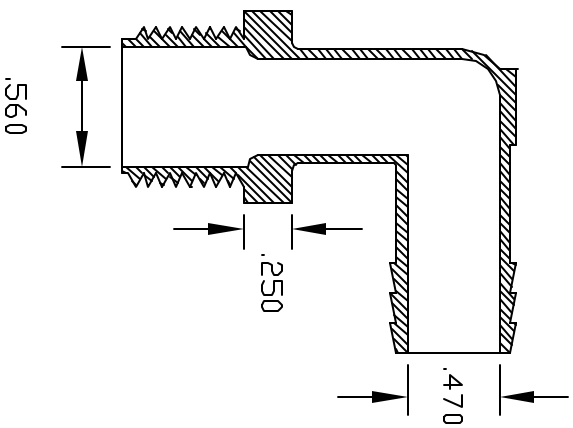
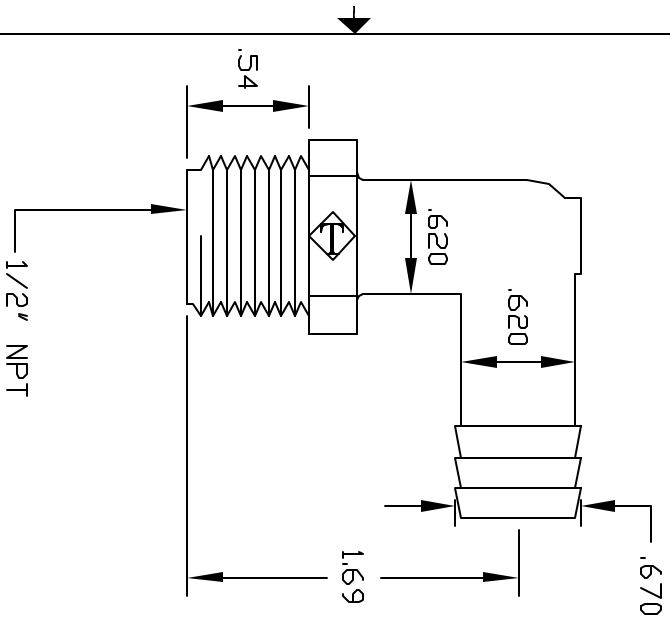


REVISIONS				
ZONE	REV	DESCRIPTION	DATE	APPROVED
	A	REDRAWN & RELEASED	4/97	4/97
	B	DIM 0.590 REMOVED	01/06/2000	BM



CONTROLLED DOCUMENT
ONLY IF IN RED

CONFIDENTIAL
THIS PRINT AND THE SPECIFICATIONS ARE THE PROPERTY OF THOGUS PRODUCTS COMPANY AND HAVE BEEN ISSUED WITH THE UNDERSTANDING THAT IT IS NOT TO BE REPRODUCED OR TRANSMITTED IN ANY FORM OR BY ANY MEANS, ELECTRONIC OR MECHANICAL, INCLUDING PHOTOCOPYING, RECORDING, OR BY ANY INFORMATION STORAGE AND RETRIEVAL SYSTEM, WITHOUT PERMISSION IN WRITING FROM THOGUS PRODUCTS COMPANY. IT IS TO BE RETURNED TO THE MANUFACTURER UPON REQUEST.

UNLESS OTHERWISE SPECIFIED
DIMENSIONS ARE IN INCHES
TOLERANCES UNLESS SHOWN
XX +/- .05
XXX +/- .015
DRAWN NM DATE
MATERIAL POLYETHYLENE
PART NUMBER 20810L/P

Part Name: 1/2NPT X 5/8 BARB ELBOW
THOGUS PRODUCTS 33490 PIN DAK PARKWAY
AVON LAKE OHIO 44012
SCALE 1:1 SHEET 1 of 1
REV B

ALL DIMENSIONS ARE TO CENTER UNLESS OTHERWISE SPECIFIED