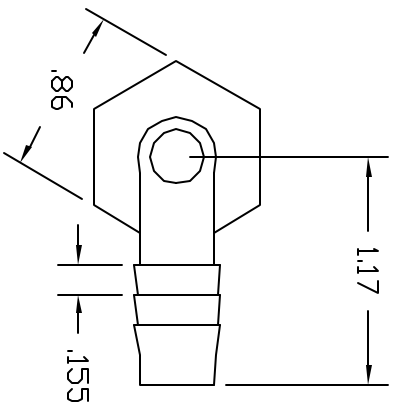
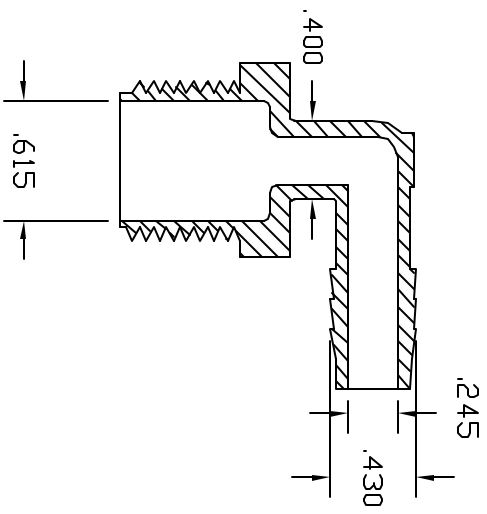
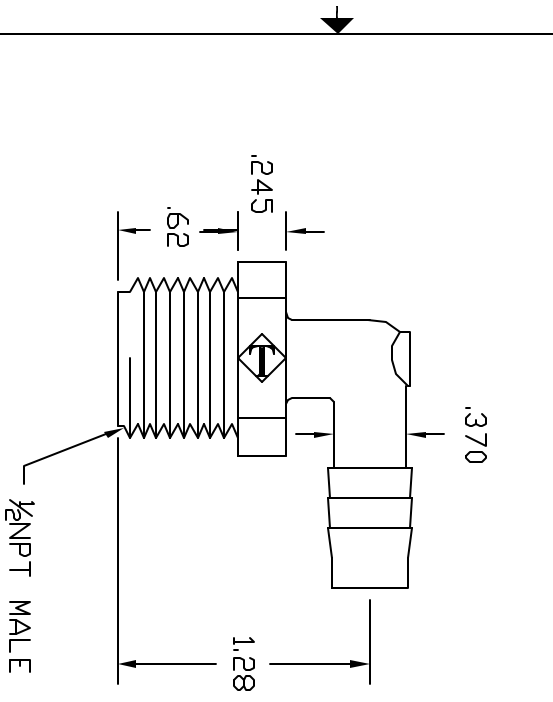


REVISIONS			
REV	DESCRIPTION	DATE	APPROVED
A	REDRAWN & RELEASED	5/98	5/98
B	MODIFIED BARBS	9/99	BM
C	MODIFIED BARBS	12/02	12/02



COLOR: BLACK (PPB)
NATURAL (PPN)

CONTROLLED DOCUMENT
ONLY IF IN RED

CONFORMANCE
THIS PRINT AND THE SPECIFICATIONS ARE THE PROPERTY OF THOGUS PRODUCTS COMPANY AND HAVE BEEN ISSUED WITH THE UNDERSTANDING THAT THE USER SHALL BE RESPONSIBLE FOR THE REVEALING AND THE REVEALING OF THE MANUFACTURE FOR OTHERS AND WILL BE RETURNED UPON REQUEST.

UNLESS OTHERWISE SPECIFIED DIMENSIONS ARE IN INCHES
TOLERANCES
XX +/- .05
XXX +/- .015

DRAWN BM
MATERIAL 2086PP
POLYPROPYLENE

Part Number
1/2 NPT X 3/8 BARBED ELBOW NYLON

THOGUS PRODUCTS
33490 PIN DAK PARKWAY
AVON LAKE OHIO 44012

Part Number
TE2086/PP
SCALE 1:1
SHEET 1 of 1
REV C

DATE OF CHANGE: 12/02/02