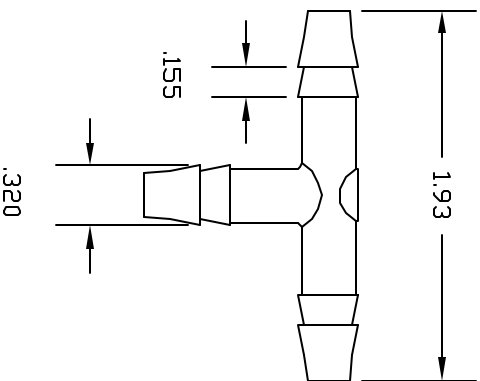
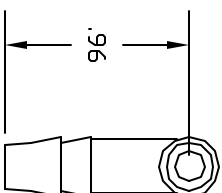
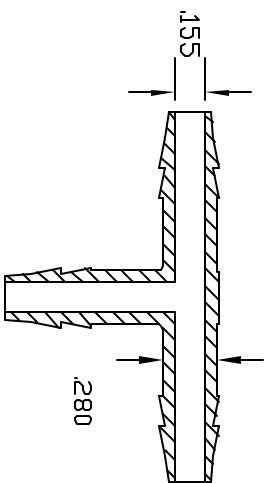


REVISIONS			
REV	DESCRIPTION	DATE	APPROVED
D	MODIFY BARBS	12/02	12/02
E	UPDATE DWG	9/07	9/07



CONTROLLED DOCUMENT  
ONLY IF IN RED

UNLESS OTHERWISE SPECIFIED DIMENSIONS ARE IN INCHES TOLERANCES DECIMALS ANGULARS .XX +/- .05 +/- .05		PART NAME 1/4 BARB X 1/4 BARB X 1/4 BARB TEE	
DRAWN NM	DATE 9/96	THOGUS PRODUCTS 33490 PIN DAK PARKWAY AYDON LAKE OHIO 44012	
DESIGNER NM	DATE	REV	
MATERIAL NYLON	PART NUMBER 119444/N	SHEET 1 of 1	