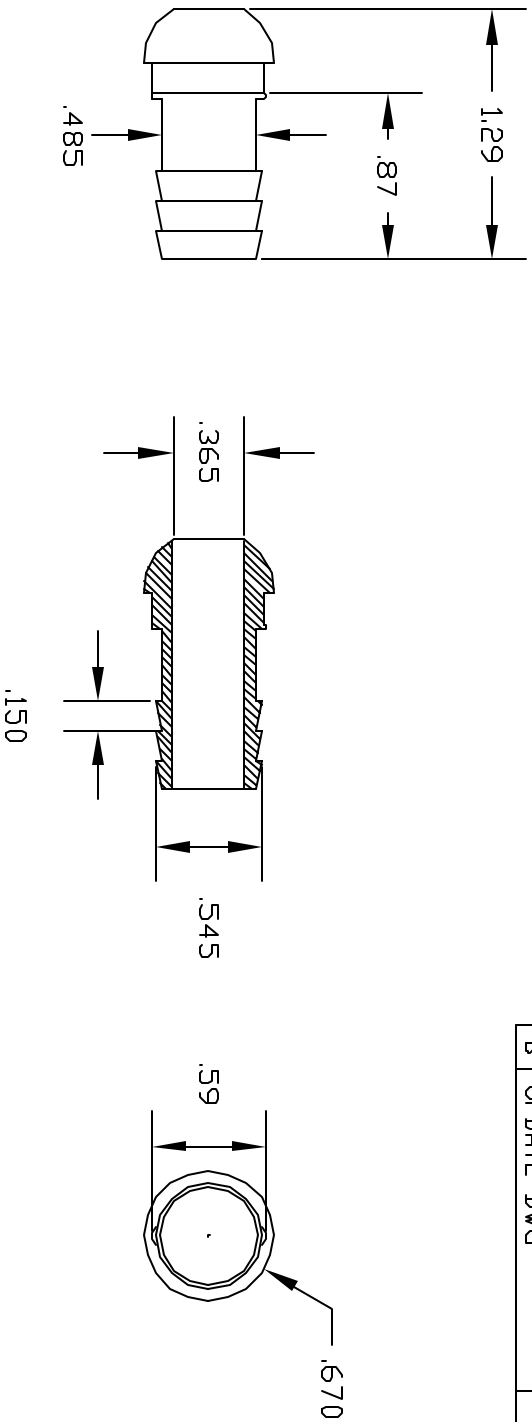


REVISIONS			
REV	DESCRIPTION	DATE	APPROVED
A	DRAWN AND RELEASE	1/98	
B	UPDATE DWG	9/07	9/07



TO MAKE WITH THOGUS PART NUMBER  
SN8/N, 1/2" NPT FEMALE NUT

CONTROLLED DOCUMENT  
ONLY IF IN RED

UNLESS OTHERWISE SPECIFIED DIMENSIONS ARE IN INCHES DECIMALS ANGULARS .XX +/- .05 .XXX +/- .015 +/- .05		Part Name <b>1/2 BARB SWIVEL NUT ADAPTER INSERT</b>	
DRAWN <b>NM</b>	DATE <b>1/98</b>	<b>THOGUS</b> 33490 PIN DAK PARKWAY <b>PRODUCTS</b> AYOON LAKE OHIO 44012	
FINISHES <b>SNAB/PB</b>	Part Number <b>SNAB/PPB</b>	SHEET <b>1</b>	OF <b>1</b>
Material <b>POLYPROPYLENE BLACK</b>			REV <b>B</b>