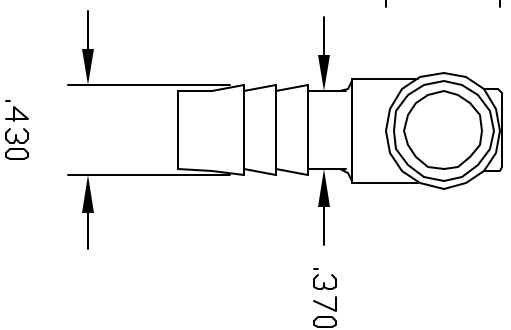
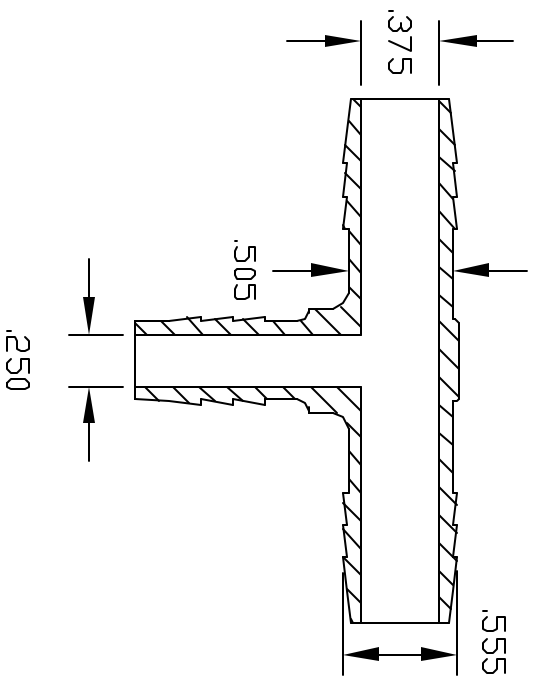
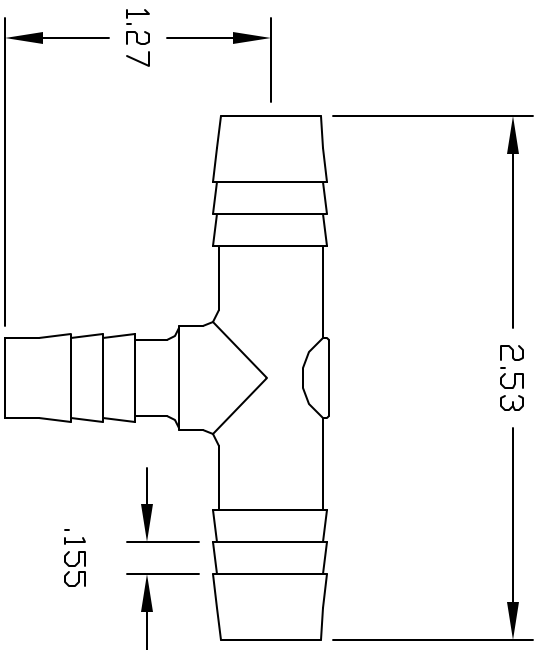


REV	DESCRIPTION	DATE	APPROVED
A	REDRAWN & RELEASED	3/98	3/98
B	LEAD BARB ADDED	9/99	9/99
C	REDRAWN & DIM.	12/28/99	12/99
D	MODIFY DROP BARB	3/07	3/07
E	UPDATE DWG	9/07	9/07



CONTROLLED DOCUMENT
ONLY IF IN RED

CONFIDENTIAL
THIS PRINT AND THE SPECIFICATIONS ARE THE PROPERTY OF THOGUS PRODUCTS COMPANY AND HAVE BEEN ISSUED WITH THE UNDERSTANDING THAT IT WILL NOT BE REPRODUCED, REVEALED TO OR USED FOR THE MANUFACTURE FOR OTHERS AND WILL BE RETURNED UPON REQUEST.

UNLESS OTHERWISE SPECIFIED DIMENSIONS ARE IN INCHES		PART NAME: 3/8 BARB X 1/2 BARB X 1/2 BARB TEE	
TOLERANCES	DECIMALS	TOLERANCES	ANGULAR
.XX	+/- .05		+/- .05
.XXX	+/- .015		
DRAWN	DATE		
BM	12/99		
THOGUS PRODUCTS	33490 PIN OAK PARKWAY		
AVON LAKE OHIO	44012		
MATERIAL	NYLON	PART NUMBER	TT9688/N
		SHEET	1 OF 1
		REV	E