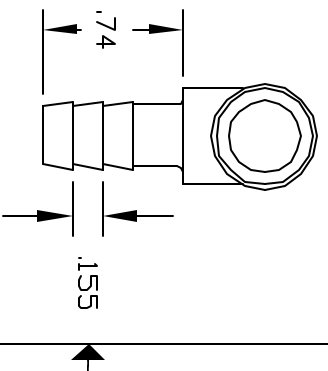
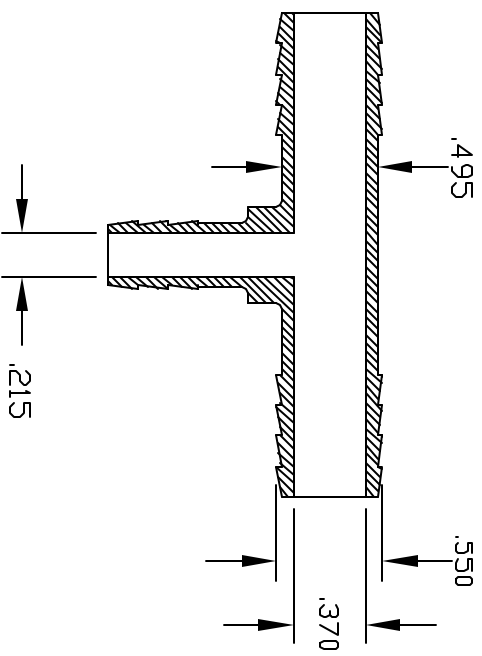
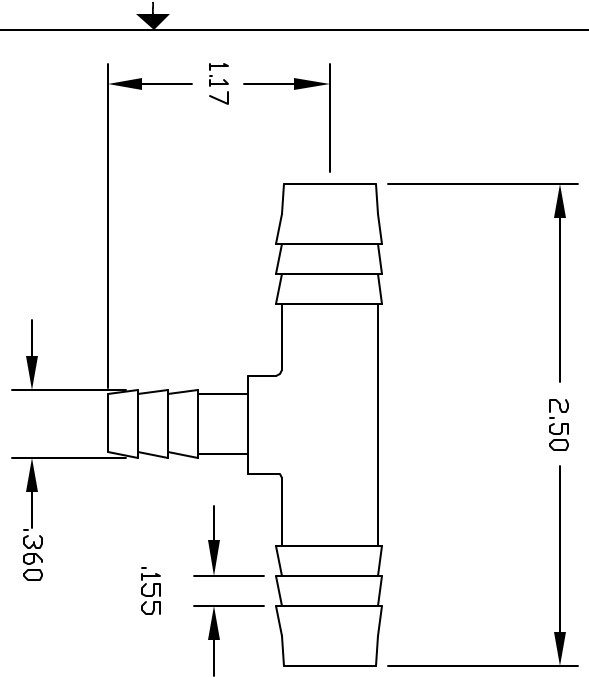


REVISIONS			
REV	DESCRIPTION	DATE	APPROVED
A	REDRAWN & RELEASED	5/98	5/98
B	UPDATE DWG	9/07	9/07



COLOR: BLACK (PPB)

NATURAL (PPND)

CONTROLLED DOCUMENT
ONLY IF IN RED

THIS PRINT AND THE SPECIFICATIONS ARE THE PROPERTY OF THOGUS PRODUCTS COMPANY AND HAVE BEEN ISSUED WITH THE UNDERSTANDING THAT THE USER WILL BE RESPONSIBLE FOR OBTAINING THE MATERIALS AND WILL BE RETURNED UPON REQUEST.

UNLESS OTHERWISE SPECIFIED DIMENSIONS ARE IN INCHES		Part Name	5/16 BARB X 1/2 BARB X 1/2 BARB TEE
THOGUS PRODUCTS	TECHNICAL DRAWING	DATE	5/7/98
XX +/- .05	YY +/- .05	DRAWN	NM
XXX +/- .015	YY +/- .015	MATERIAL	9588PP
		MATERIAL	POLYPROPYLENE
		Part Number	TT9588/PP
		33490 PIN DAK PARKWAY	
		AVON LAKE OHIO 44012	
		REV	B
		SHEET	1 of 1