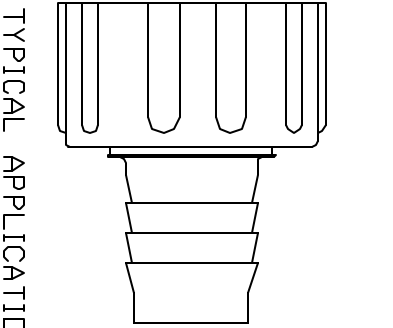
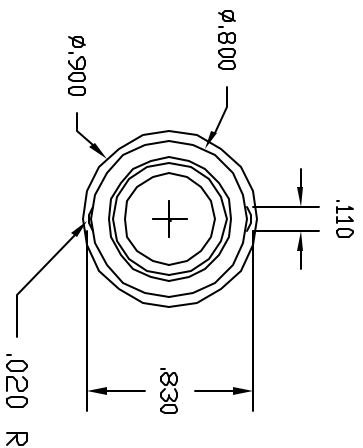
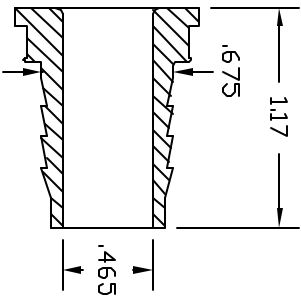
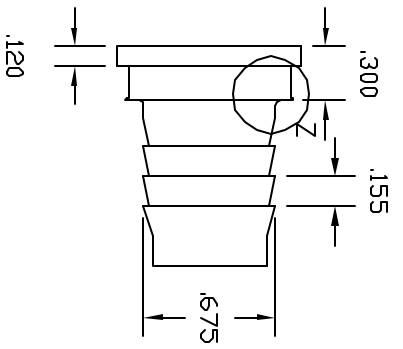


REVISIONS			
REV	DESCRIPTION	DATE	APPROVED
A	DRAWN	05/01	05/01
B	VIEW Z, .178 WAS .085	05/01	05/01
C	UPDATE DWG	9/07	05/01



TYPICAL APPLICATION

CONTROLLED DOCUMENT
ONLY IF IN RED

CONFIDENTIAL
THIS PRINT AND THE SPECIFICATIONS ARE THE PROPERTY OF THOGUS PRODUCTS COMPANY AND HAVE BEEN ISSUED WITH THE UNDERSTANDING THAT IT IS TO BE KEPT FOR THE USE OF THE MANUFACTURER FOR OTHERS AND WILL BE RETURNED UPON REQUEST.

UNLESS OTHERWISE SPECIFIED DIMENSIONS ARE IN INCHES		Part Name	
DECIMALS	1/16	11/16 BARB	GARDEN HOSE ADAPTER INSERT
XX	1/32		
XXX	1/64		
DRAWN BM		Part Number	
THOGUS PRODUCTS		GH11/PPB	
33490 PIN DAK PARKWAY		GH11/PPB	
AYDN LAKE OHIO 44012		SHEET 1 of 1	
		REV C	