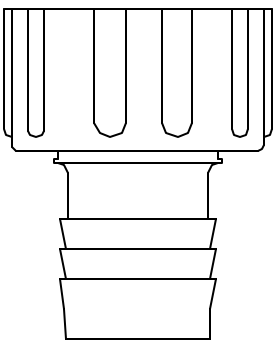
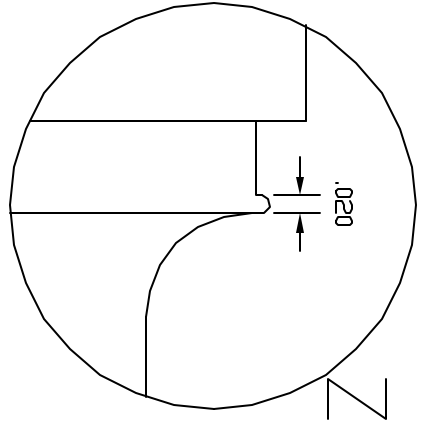
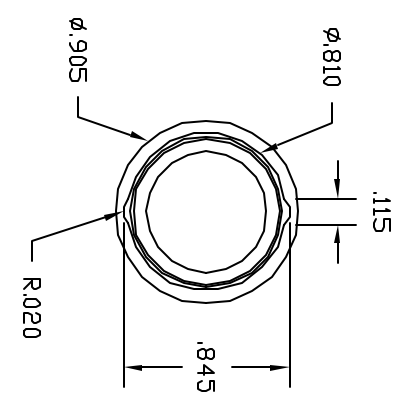
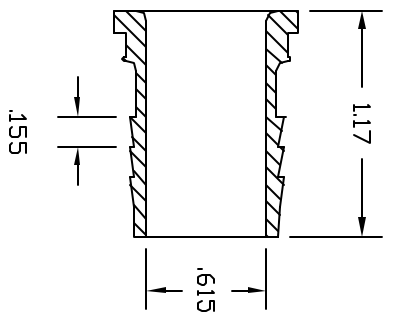
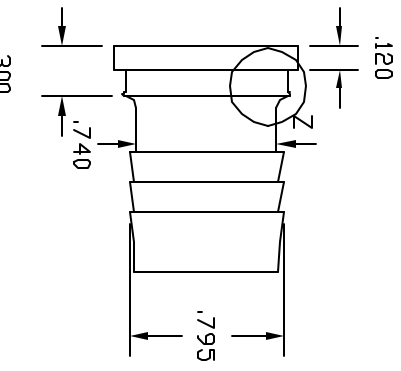


REVISIONS			
REV	DESCRIPTION	DATE	APPROVED
A	DRAWING RELEASE	7/97	7/97
B	MODIFY BARB	9/99	9/99
C	UPDATE DWG	9/07	9/07



TYPICAL APPLICATION

TO MATE WITH THOGUS
 PRODUCTS PART NUMBER
 GHN-12/N, FEMALE
 GARDEN HOSE THREAD
 (3/4" - 11.5)

CONTROLLED DOCUMENT
 ONLY IF IN RED

CONFIDENTIAL
 THIS PRINT AND THE SPECIFICATIONS ARE THE PROPERTY OF THOGUS PRODUCTS COMPANY AND HAVE BEEN ISSUED WITH THE UNDERSTANDING THAT IT IS NOT TO BE REPRODUCED OR TRANSMITTED IN ANY FORM OR BY ANY MEANS, ELECTRONIC OR MECHANICAL, INCLUDING PHOTOCOPYING, RECORDING, OR BY ANY INFORMATION STORAGE AND RETRIEVAL SYSTEM, WITHOUT PERMISSION IN WRITING FROM THOGUS PRODUCTS COMPANY. THIS DOCUMENT IS TO BE RETURNED UPON REQUEST.

UNLESS OTHERWISE SPECIFIED DIMENSIONS ARE IN INCHES DECIMAL TOLERANCES UNLESS SHOWN OTHERWISE XX +/- .05 XXX +/- .015		Part Number 3/4 BARB GARDEN HOSE ADAPTER INSERT
DRAWN GHA12PPB	DATE 7/97	THOGUS PRODUCTS 33490 PIN DAK PARKWAY AVONDALE LAKE OHIO 44012
REVISIONS NM	MATERIAL POLYPROPYLENE BLACK	Part Number GHA12/PPB
SHEET 1 of 1		REV C