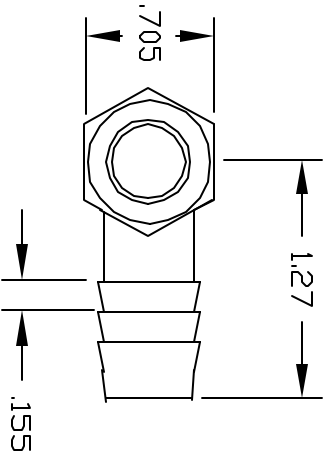
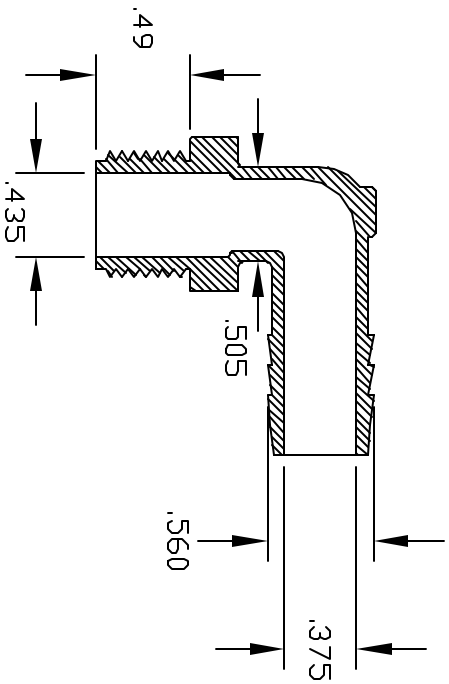
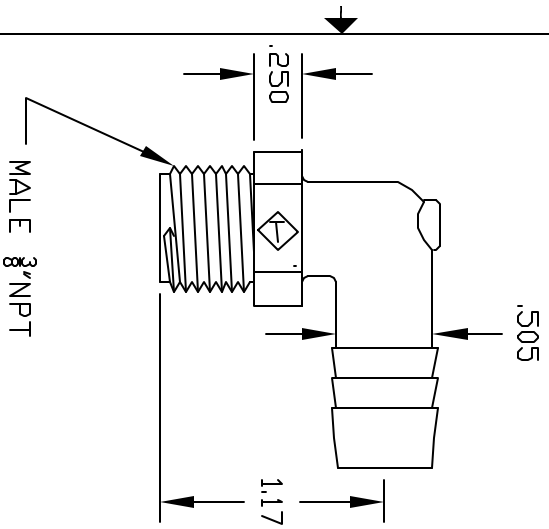


RENSKENS

REV	DESCRIPTION	DATE	APPROVED
A	REDRAWN & RELEASED	5/98	5/98
B	.545 to .550 ADD LEAD BARB	7/99	7/99
C	.500 TO .490 1.10 TO 1.26 UPDATED	02/24/00	BM



CONTROLLED DOCUMENT
ONLY IF IN RED

CONFIDENTIAL
THIS PRINT AND THE SPECIFICATIONS ARE THE PROPERTY OF THOGUS PRODUCTS COMPANY AND HAVE BEEN ISSUED WITH THE UNDERSTANDING THAT IT IS TO BE USED FOR THE MANUFACTURE OF THIS PART ONLY. IT IS NOT TO BE REPRODUCED OR TRANSMITTED IN ANY FORM OR BY ANY MEANS, ELECTRONIC OR MECHANICAL, INCLUDING PHOTOCOPYING, RECORDING, OR BY ANY INFORMATION STORAGE AND RETRIEVAL SYSTEM, WITHOUT PERMISSION IN WRITING FROM THOGUS PRODUCTS COMPANY.

UNLESS OTHERWISE SPECIFIED DIMENSIONS ARE IN INCHES	
DECIMALS	FRACTIONS
XX +/- .05	1/4
XXX +/- .015	1/8
DRAWN	DATE
BM	8/98
DESIGNED	
ROGBN	
MATERIAL	
NYLON	

Part Name:	3/8NPT X 1/2 BARB	ELBOW
Part Number:	TE2068/N	
Scale:	1:1	
Sheet:	1	of 1
Rev:	C	
THOGUS PRODUCTS 33490 PIN DAK PARKWAY AYOON LAKE OHIO 44012		

THIS DRAWING IS THE PROPERTY OF THOGUS PRODUCTS COMPANY. IT IS NOT TO BE REPRODUCED OR TRANSMITTED IN ANY FORM OR BY ANY MEANS, ELECTRONIC OR MECHANICAL, INCLUDING PHOTOCOPYING, RECORDING, OR BY ANY INFORMATION STORAGE AND RETRIEVAL SYSTEM, WITHOUT PERMISSION IN WRITING FROM THOGUS PRODUCTS COMPANY.