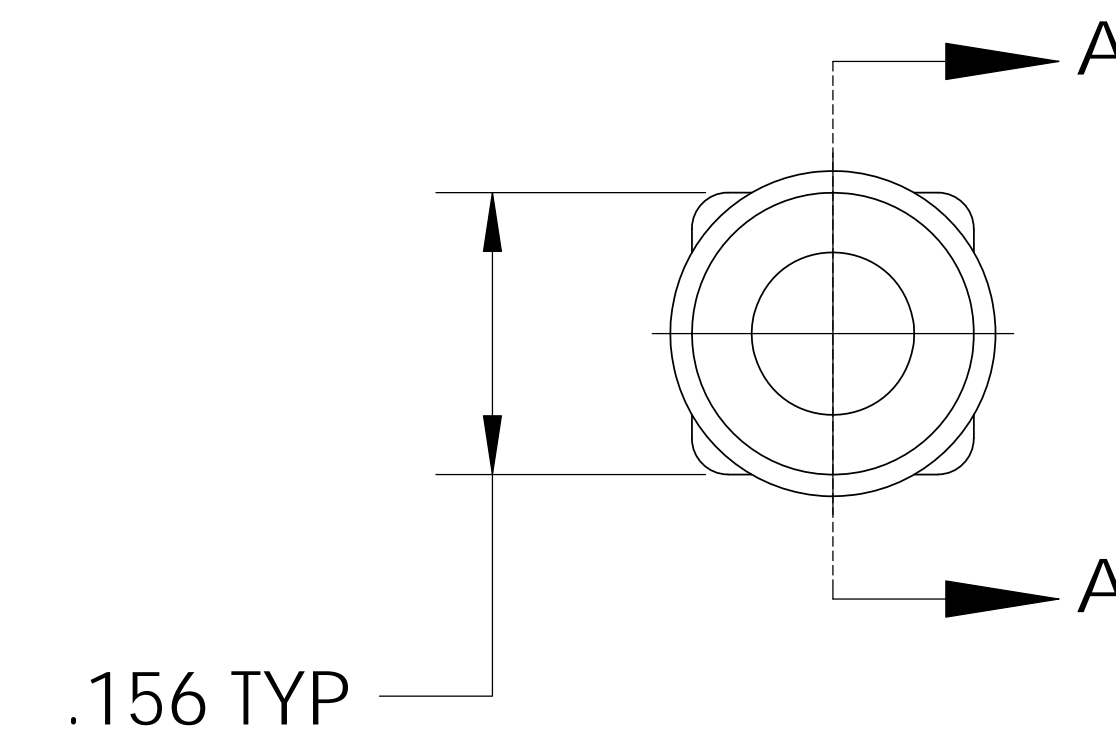
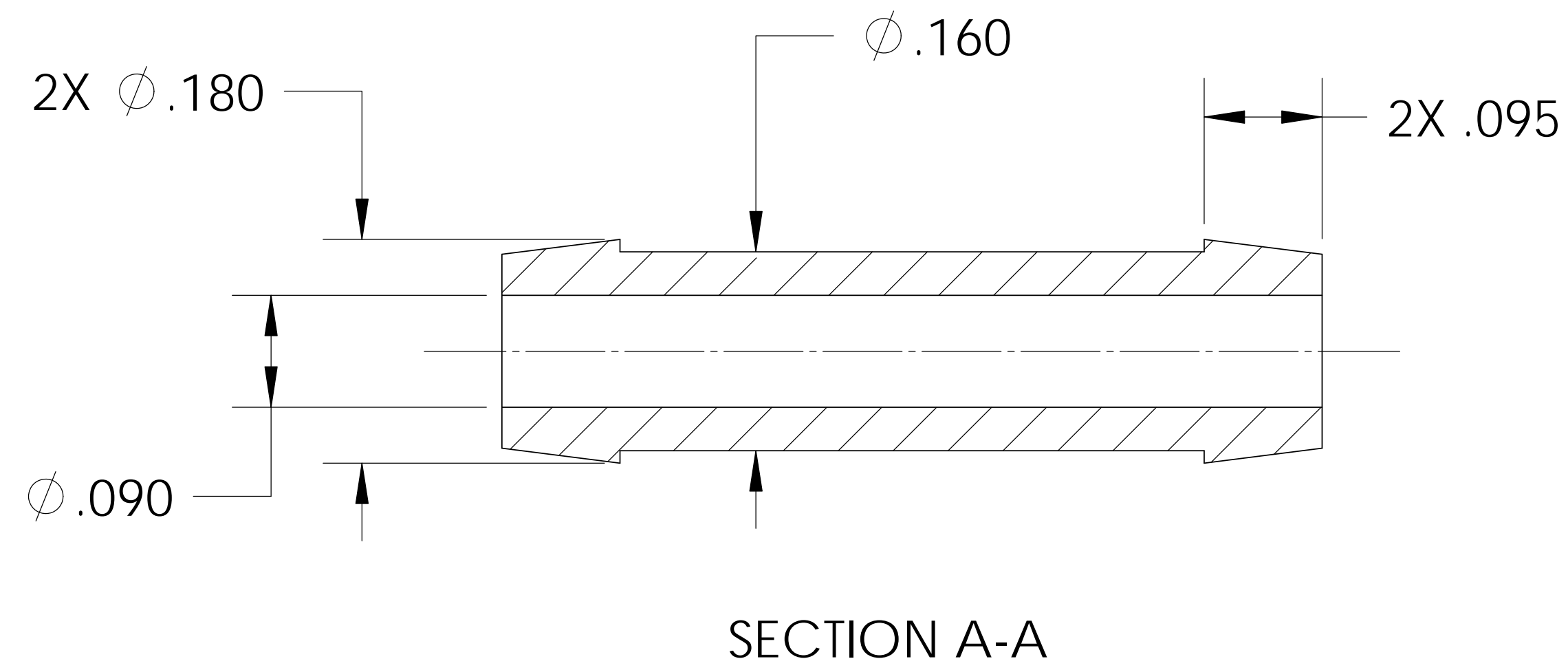
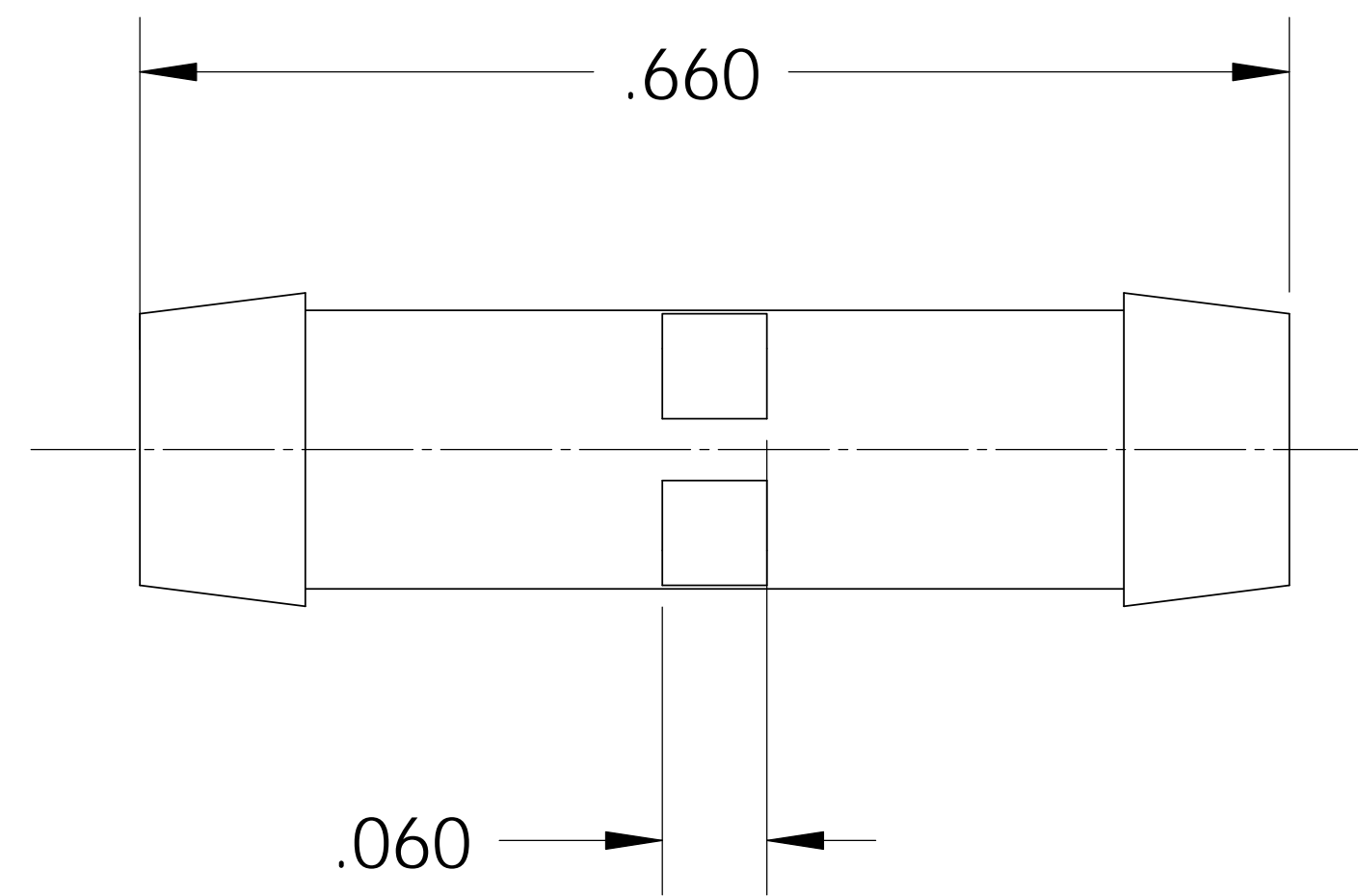
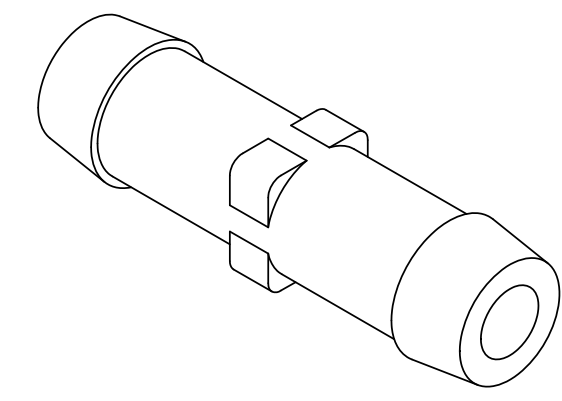


UNCONTROLLED IF PRINTED; CONTROLLED DOCUMENT LOCATED IN IQMS DOCUMENT CONTROL



NOTES:

- 1) POLYPROPYLENE HAS COLOR OPTIONS:
 BLACK = TC7022/PPB
 NATURAL = TC7022/PPN

PROPRIETARY AND CONFIDENTIAL
 THE INFORMATION CONTAINED IN THIS DRAWING IS THE SOLE PROPERTY OF THOGUS PRODUCTS COMPANY. ANY REPRODUCTION IN PART OR AS A WHOLE WITHOUT THE WRITTEN PERMISSION OF THOGUS PRODUCTS COMPANY IS PROHIBITED.

REV	WRO#	DESCRIPTION
D	95.00041	CONVERTED TO 3D FORMAT
HISTORY		

UNLESS OTHERWISE SPECIFIED:
 DIMENSIONS ARE IN INCHES
 TOLERANCES:
 ANGULAR: ±0.5°
 X.X = ± 0.1
 X.XX = ± 0.05
 X.XXX = ± 0.015
 REMOVE ALL SHARP EDGES AND BURRS
 BLEND ALL RADII TO 0.01IN
 INTERPRET GEOMETRIC TOLERANCING PER: ANSI Y 14.5 1994
 MATERIAL: PP, P, N, K
 FINISH: NA
 THIRD ANGLE PROJECTION:

	NAME	DATE
DRAWN	KDJ	10/08/10
CHECKED	KDJ	10/8/10
ENG APPR.		XX/XX/XX
MFG APPR.		XX/XX/XX
Q.A.		XX/XX/XX

Thogus You think it, we can make it...
 33490 PIN OAK, AVON LAKE, OH 44012

TITLE: **BARB CONNECTOR, 1/8" X 1/8"**

SIZE B	DWG. NO. TC7022	REV D
SCALE: 4:1	MASS:	SHEET 1 OF 1

SHOWN

CATALOG NO.	DESCRIPTION	MATERIAL
TC7022/PP	1/8 X 1/8 PP	POLYPROPYLENE
TC7022/P	1/8 X 1/8 P	POLYETHYLENE
TC7022/N	1/8 X 1/8 N	NYLON
TC7022/K	1/8 X 1/8 K	KYNAR

DO NOT SCALE DRAWING