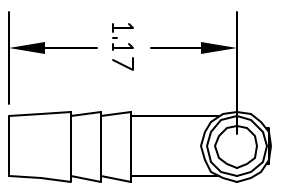
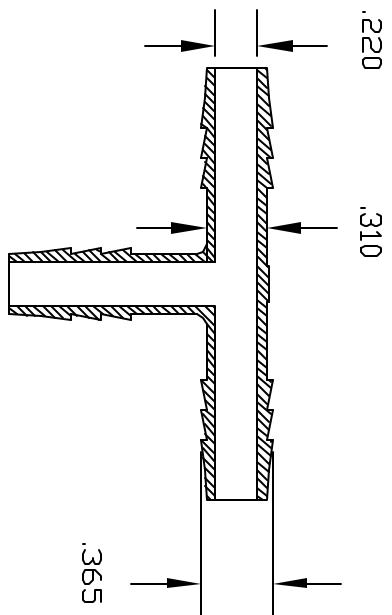
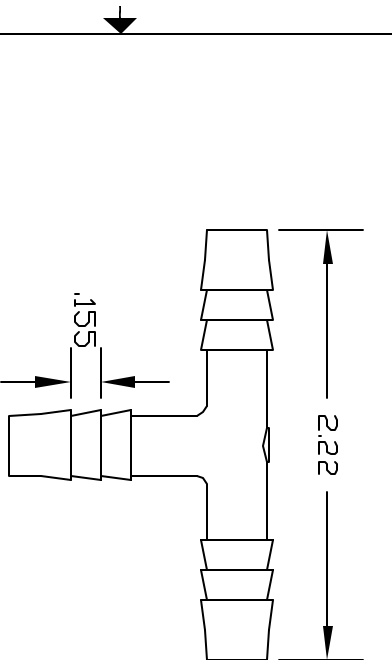


REVISIONS			
REV	DESCRIPTION	DATE	APPROVED
A	RELEASED	1/98	1/98
B	MODIFY BARBS	12/00	12/00
C	UPDATE DWG	9/07	9/07



CONTROLLED DOCUMENT
ONLY IF IN RED

UNLESS OTHERWISE SPECIFIED DIMENSIONS ARE IN INCHES TOLERANCES ARE: DECIMALS .005 FRACTIONS .005		Part Name	
DESIGNED BY	DATE	5/16 BARB X 5/16 BARB X 5/16 BARB TEE	
DRAWN	DATE	THOGUS PRODUCTS 33490 PIN DAK PARKWAY AYDON LAKE OHIO 44012	
REVISED	DATE	Part Number	
MATERIAL	DATE	9555/N	
NYLON	DATE	9555/N	
SHEET 1 of 1		REV C	