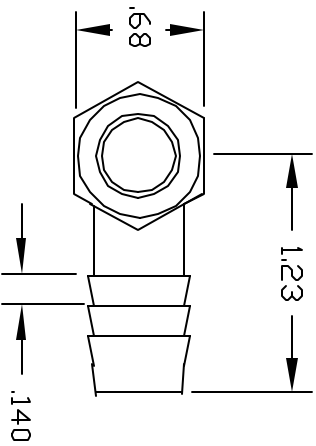
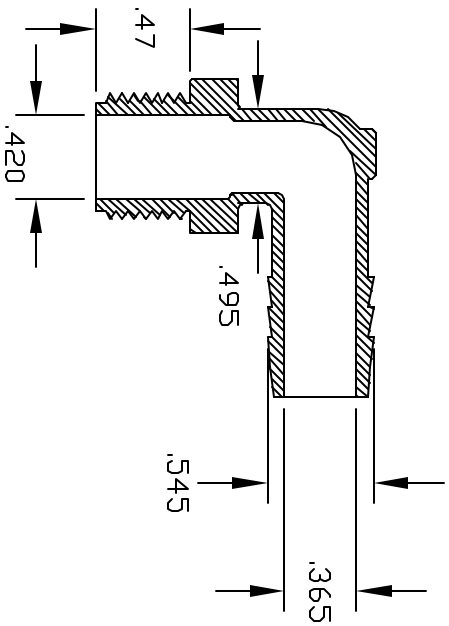
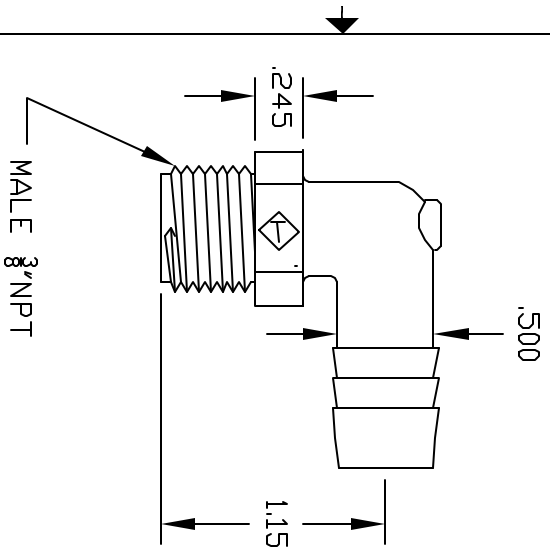


RENSKINS

REV	DESCRIPTION	DATE	APPROVED
A	REDRAWN & RELEASED	5/98	5/98
B	.545 to .550 ADD LEAD BARB	7/99	7/99
C	.500 TO .490 1.10 TO 1.26	02/24/00	BM



CONTROLLED DOCUMENT
ONLY IF IN RED

THIS PRINT AND THE SPECIFICATIONS ARE THE PROPERTY OF THOGUS PRODUCTS COMPANY AND HAVE BEEN ISSUED WITH THE UNDERSTANDING THAT THEY ARE TO BE USED FOR THE MANUFACTURE OF PARTS AND WILL BE RETURNED UPON REQUEST.

CONFIDENTIAL

UNLESS OTHERWISE SPECIFIED
DIMENSIONS ARE IN INCHES
TOLERANCES UNLESS SHOWN
XX +/- .05
XX +/- .05
XXX +/- .015

Part Name: 3/8NPT X 1/2 BARB ELBOW
DRAWN: BM DATE: 8/98
MATERIAL: POLYETHYLENE
Part Number: TE2068/P
SCALE: 1:1
SHEET: 1 of 1
REV: C

THOGUS PRODUCTS
33490 PIN DAK PARKWAY
AVON LAKE OHIO 44012

THE INFORMATION CONTAINED HEREIN IS UNCLASSIFIED