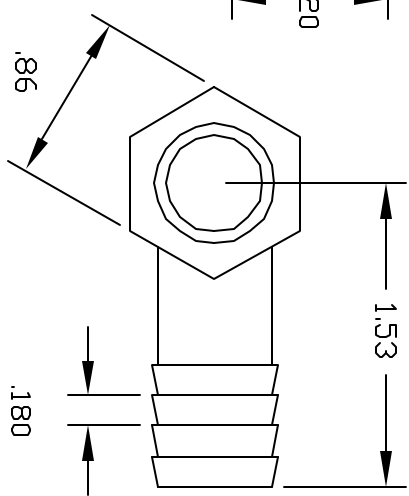
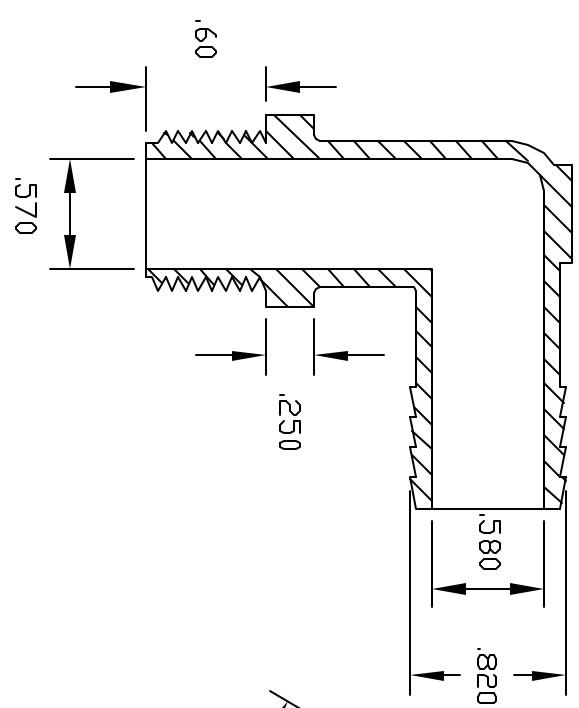
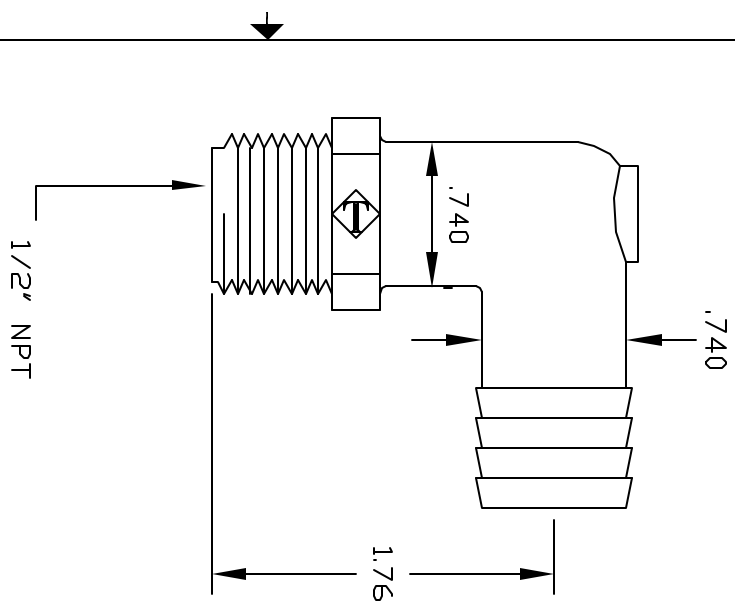


REVISIONS			
REV	DESCRIPTION	DATE	APPROVED
A	REDRAWN & RELEASED	4/97	4/97
B	UPDATE DWG	9/07	9/07



CONTROLLED DOCUMENT
ONLY IF IN RED

CONFIDENTIAL
THIS PRINT AND THE SPECIFICATIONS ARE THE PROPERTY OF THOGUS PRODUCTS COMPANY AND HAVE BEEN ISSUED WITH THE UNDERSTANDING THAT IT IS NOT TO BE REPRODUCED, COPIED, REVEALED TO OTHERS OR USED FOR THE MANUFACTURE OF OTHERS AND WILL BE RETURNED UPON REQUEST.

UNLESS OTHERWISE SPECIFIED DIMENSIONS ARE IN INCHES		TOLERANCES UNLESS SHOWN	
XX	+/- .05	XX	+/- .05
XXX	+/- .015	XXX	+/- .015
DRAWN	NM	DATE	4/97
CHECKED			
MATERIAL	NYLON	Part Number	TE20812L/N
Part Name	1/2 NPT X 3/4 BARB ELBOW LONG	Scale	1:1
THOGUS PRODUCTS		33490 PIN DAK PARKWAY	REV B
		AVON LAKE OHIO 44012	
SHEET	1	of	1

SEE DRAWING FOR DIMENSIONS AND TOLERANCES