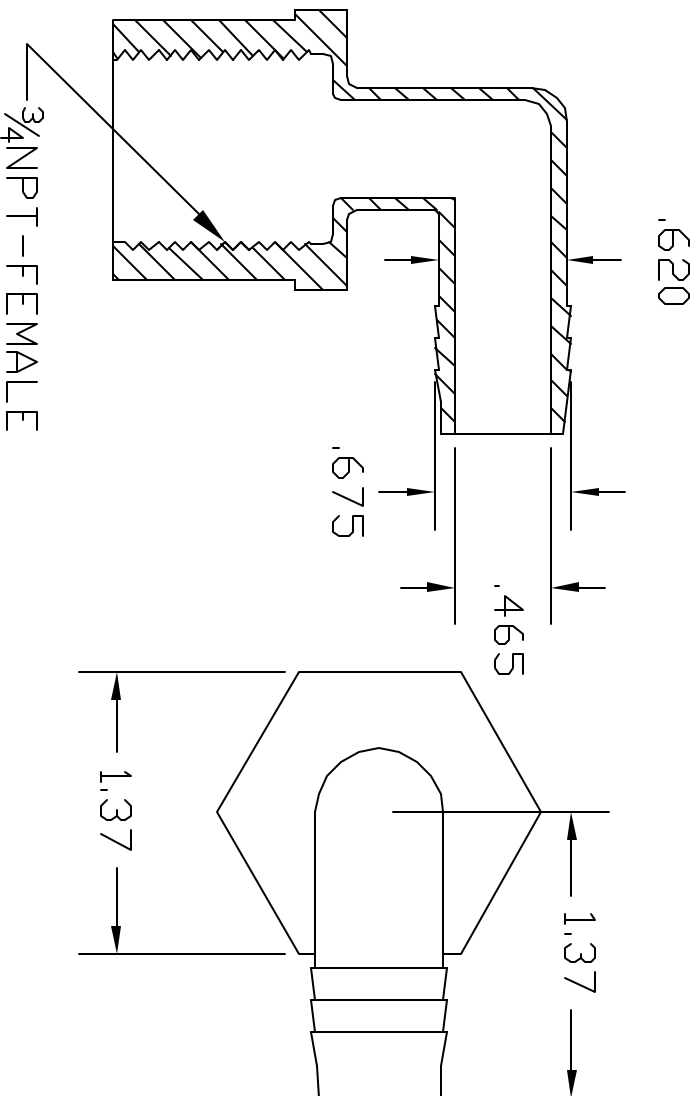
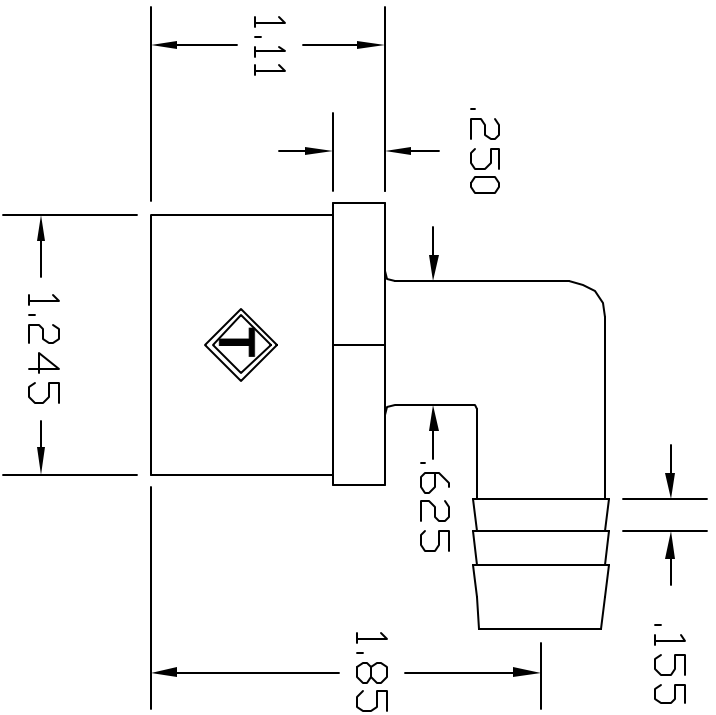


REV	DESCRIPTION	DATE	APPROVED
A	DRAWN	1/30/06	1/30/06
B	UPDATE DWG	9/07	9/07



**CONFIDENTIAL**  
 THIS PRINT AND THE SPECIFICATIONS ARE THE PROPERTY OF THOGUS PRODUCTS COMPANY AND HAVE BEEN ISSUED WITH THE UNDERSTANDING THAT IT WILL NOT BE REPRODUCED, REVEALED TO OR USED FOR THE MANUFACTURE FOR OTHERS AND WILL BE RETURNED UPON REQUEST.

UNLESS OTHERWISE SPECIFIED DIMENSIONS ARE IN INCHES		PART NAME	
TOLERANCES	DECIMALS	3/4-14NPT FEMALE X 5/8 BARB FEMALE ELBOW	
ANGULAR	ANGULAR		
.XX +/-.05	+/-0.5		
.XXX +/-.015			
DRAWN	DATE		
BM	1/06		
THOGUS PRODUCTS	TEF201210/N		
33450 PIN OAK PARKWAY	AVON LAKE OHIO 44012		
REVISION	SHEET		
B	1 OF 1		

CONTROLLED DOCUMENT  
 ONLY IF IN RED