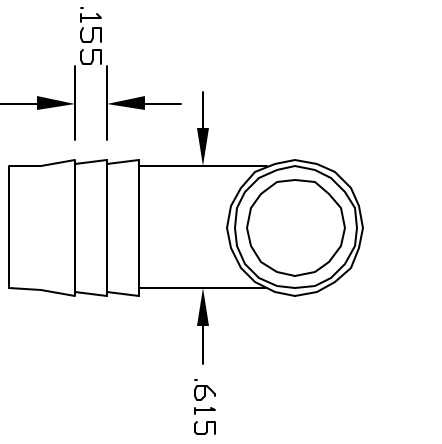
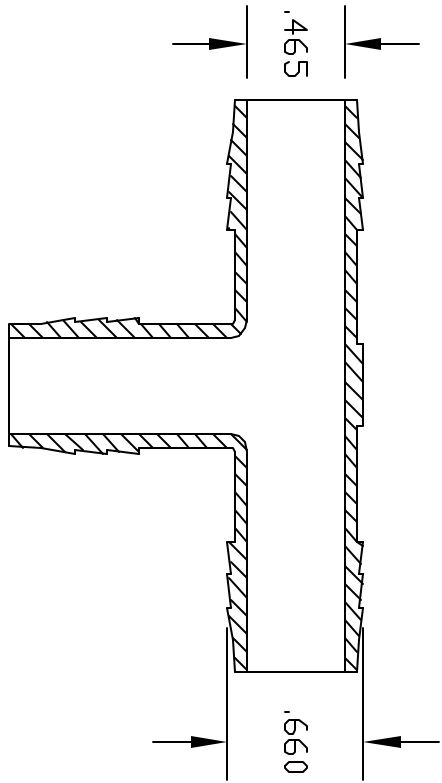
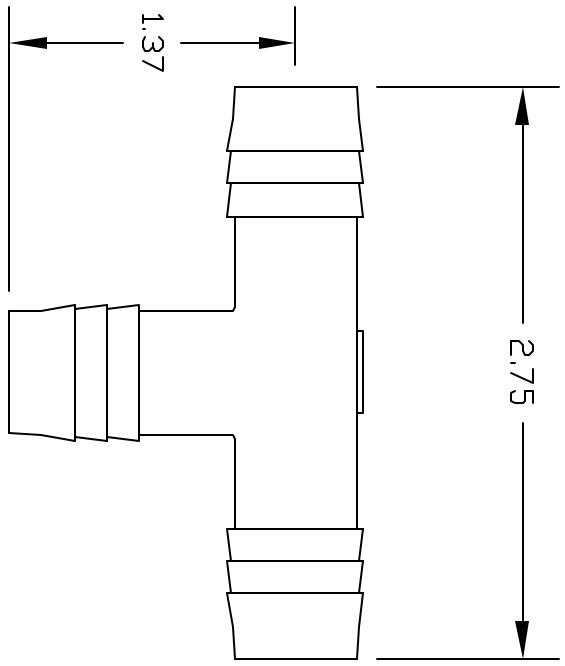


REV	DESCRIPTION	DATE	APPROVED
A	REDRAWN & RELEASED	5/98	5/98
B	REVISE BARBS/LENGTHEN	6/01	BM
C	.615 WAS .620	6/01	BM
D	UPDATE DWG	9/07	9/07



UNLESS OTHERWISE SPECIFIED DIMENSIONS ARE IN INCHES		PART NAME:	
DECIMALS	TOLERANCES	5/8 BARB X 5/8 BARB X 5/8 BARB	TEE
XX +/- .05	ANGULAR		
XXX +/- .015			
DRAWN	DATE	THOGUS PRODUCTS 33490 PIN DAK PARKWAY AVON LAKE OHIO 44012	
BM	6/00	PART NUMBER	TT9101010/N
MATERIAL			
NYLON			
<small>CONFORMANCE</small> THIS PRINT AND THE SPECIFICATIONS ARE THE PROPERTY OF THOGUS PRODUCTS COMPANY AND HAVE BEEN ISSUED WITH THE UNDERSTANDING THAT IT WILL NOT BE REPRODUCED, REVEALED TO OR USED FOR THE MANUFACTURE FOR OTHERS AND WILL BE RETURNED UPON REQUEST.		SHEET	1 OF 1
		REV	D

CONTROLLED DOCUMENT
ONLY IF IN RED