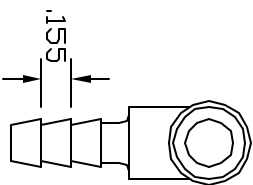
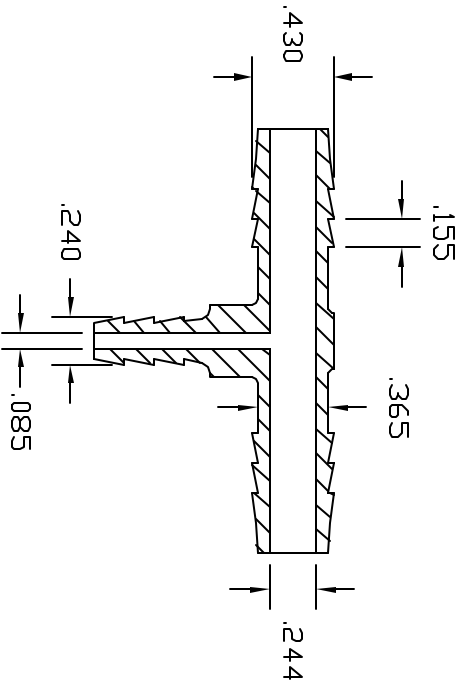
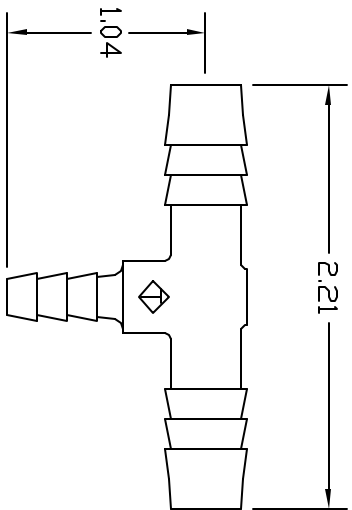


REVISIONS			
REV	DESCRIPTION	DATE	APPROVED
A	DRAWN	6/00	6/00
B	MODIFY BARBS	3/07	3/07
C	UPDATE DWG	9/07	9/07



COLOR: BLACK (PPB)
NATURAL (PPN)

UNLESS OTHERWISE SPECIFIED		PART NAME	
DIMENSIONS ARE IN INCHES		3/16 BARB X 3/8 BARB X 3/8 BARB	
TOLERANCES		TEE	
ANGULAR			
XXX +/- .05			
+/- .05			
DRAWN		DATE	
NM		4/98	
FINISH		MATERIAL	
9366PP		POLYPROPYLENE	
THOGUS PRODUCTS		Part Name	
33490 PIN DAK PARKWAY		3/16 BARB X 3/8 BARB X 3/8 BARB	
AVON LAKE OHIO 44012		TEE	
Part Number		REV	
TT9366/PP		C	
SHEET 1 OF 1			

CONSEQUENTIAL
THIS PRINT AND THE SPECIFICATIONS
HEREON ARE THE PROPERTY OF THOGUS
PRODUCTS COMPANY AND HAVE BEEN
ISSUED WITH THE UNDERSTANDING THAT
IT WILL NOT BE REPRODUCED,
REVEALED TO OR USED FOR THE
PURPOSE OF MAKING FOR OTHERS, AND WILL
BE RETURNED UPON REQUEST.

CONTROLLED DOCUMENT
ONLY IF IN RED